

## [Notice]

This is **preliminary** product contents to introduce DX-7 new models. Product specifications or features **can be changed** in development and validation process without notice.



# New DX-7 series Wheel Excavators (WEX) Specifications

**DX140W-7**

**DX160W-7**

**2021.04.**

**DIEU Product Management**

### **THIS MATERIAL IS CONFIDENTIAL AND INTERNAL USE ONLY.**

The information contained in this document, and any attachments thereto, is owned by Doosan Infracore and is strictly confidential. Unauthorized use, disclosure, sharing, or copying of such information is strictly prohibited. If you have further inquiry on the material or authorization of use, please contact your existing POC(Point of Contact) in Doosan Infracore.

# DX140/160W Introduction

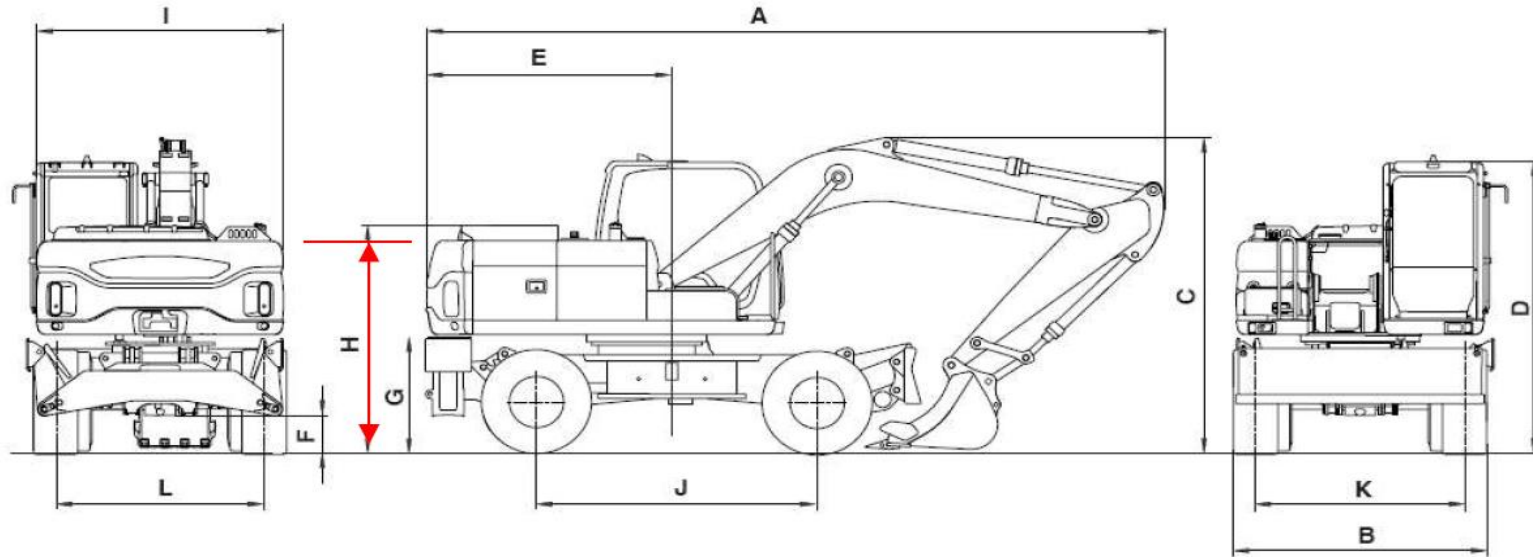


**DOOSAN**

# DX140/160W Spécifications

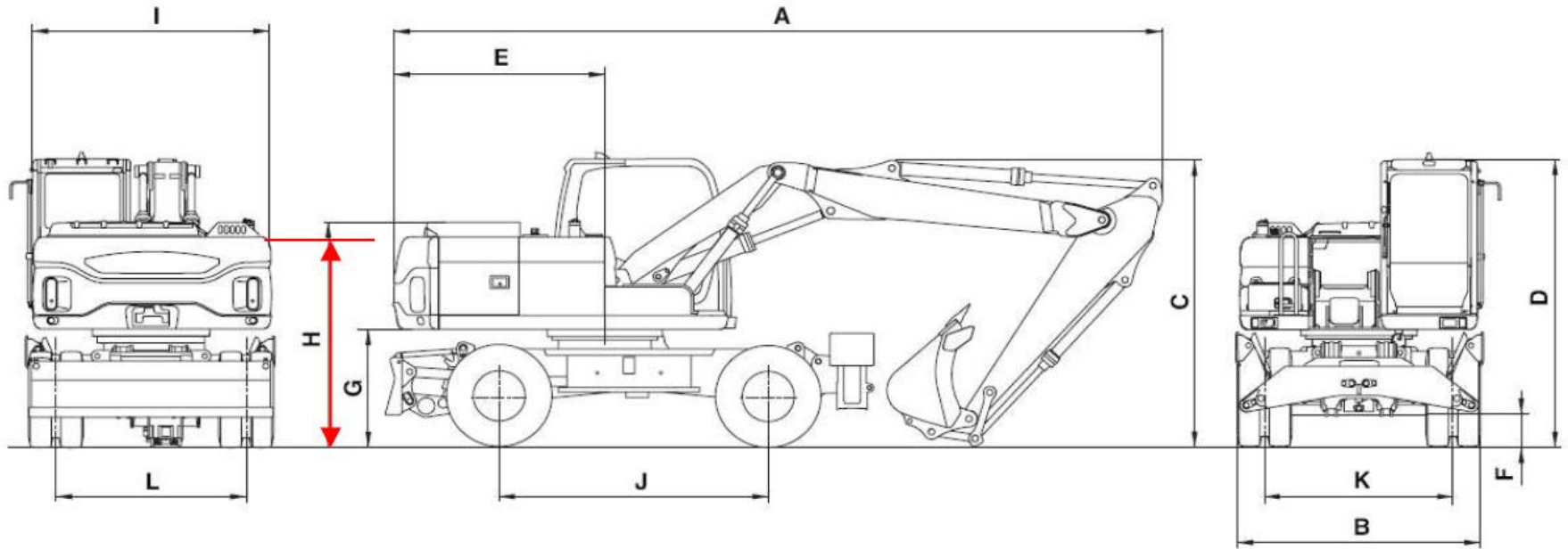
MODEL	DX140W-7 ARTI ARM2100	DX160W-7 ARTI ARM2100
CHASSIS OPTIONS	front Dozer rear outriggers	front Dozer rear outriggers
CHASSIS TYPE	NORMAL 1357KG	HD 1839KG
COUNTERWEIGHT	2500KG	3000KG
OPERATING WEIGHT	16496kg	17,480kg
ENGINE	Doosan DL06 Stage V 6CYL	Doosan DL06 Stage V 6CYL
ENGINE DISPLACEMENT	5900 cc	5900 cc
POWER ISO 14396, gross	137 HP @ 2,000	137 HP @ 2,000
AFTER TREATMENT	no EGR SCR DOC DPF	no EGR SCR DOC DPF
ARM FORCE normal /boost	[ISO] 7.60/8.04 ton	[ISO] 7.60/8.04 ton
BUCKET FORCE normal /boost	[ISO] 10.0/10.57 ton	[ISO] 10.0/10.57 ton
SWING FORCE	3744 kgf.m	3744 kgf.m
TRACTION FORCE MAX	7850 kgf.m	7850 kgf.m
LIFTING @4,5M (attch UP)	7,34 / 3,59	7,44* / 4,02
LIFTING @4,5M (attch DOWN)	7,44* / 6,30	7,44* / 6,92
LIFTING @6M (attch UP)	4,71* / 2,46	5,15 / 2,76
LIFTING @6M (attch DOWN)	5,48* / 4,14	5,48* / 4,55
LIFTING MAX REACH (att up)	3,91* / 2,09	3,91* / 2,35
LIFTING MAX REACH (att down)	3,91* / 3,49	3,91* / 3,84
MAX. DIGGING REACH (ground)	8,050 mm	8,050 mm
MAX. DIGGING DEPTH	5,025 mm	5,025 mm
MAX. DIGGING HEIGHT	6,795 mm	6,795 mm
PUMP FLOW	334L/mn (2 x 167)	334L/mn (2 x 167)

# KEY DIMENSIONS DX140/160W-7



REFERANCE	DISCRIPTION	4,400mm ONE-PIECE BOOM	4,600mm ONE-PIECE BOOM	
		2,100mm ARM	2,100mm ARM	2,500mm ARM
A	Shipping Length	8,043 mm	8,251 mm	8,205 mm
B	Shipping Width	2,495 mm	2,495 mm	2,495 mm
C	Shipping Height(Boom)	2,845 mm	2,685 mm	3,045 mm
	Shipping Height(HOSE)	2,995 mm	2,865 mm	3,210 mm
D	Height Over Cab	3,052 mm	3,052 mm	3,052 mm
	Overall Height to the Guardrail	3,249 mm	3,249 mm	3,249 mm
E	Counter Weight Swing Clearance	2,283 mm	2,283 mm	2,283 mm
F	Ground Clearance	348 mm	348 mm	348 mm
G	Counter Weight Clearance	1,215 mm	1,215 mm	1,215 mm
H	Engine Cover Height	2,212 mm	2,212 mm	2,212 mm
I	Upper Housing Width	2,490 mm	2,490 mm	2,490 mm
J	Wheel Base	2,800 mm	2,800 mm	2,800 mm
K,L	Tread Width	1,944 mm	1,944 mm	1,944 mm

# KEY DIMENSIONS DX140/160W-7



REFERENCE	DISCRIPTION	4,988mm TWO-PIECE BOOM	
		2,100mm ARM	2,500mm ARM
A	Shipping Length	8,103 mm	8,118 mm
B	Shipping Width	2,495 mm	2,495 mm
C	Shipping Height(Boom)	2,648 mm	2,795 mm
	Shipping Height(HOSE)	2,688 mm	2,834 mm
D	Height Over Cab	3,052 mm	3,052 mm
	Overall Height to the Guardrail	3,249 mm	3,249 mm
E	Counter Weight Swing Clearance	2,283 mm	2,283 mm
F	Ground Clearance	348 mm	348 mm
G	Counter Weight Clearance	1,215 mm	1,215 mm
H	Engine Cover Height	2,212 mm	2,212 mm
I	Upper Housing Width	2,490 mm	2,490 mm
J	Wheel Base	2,800 mm	2,800 mm
K,L	Tread Width	1,944 mm	1,944 mm

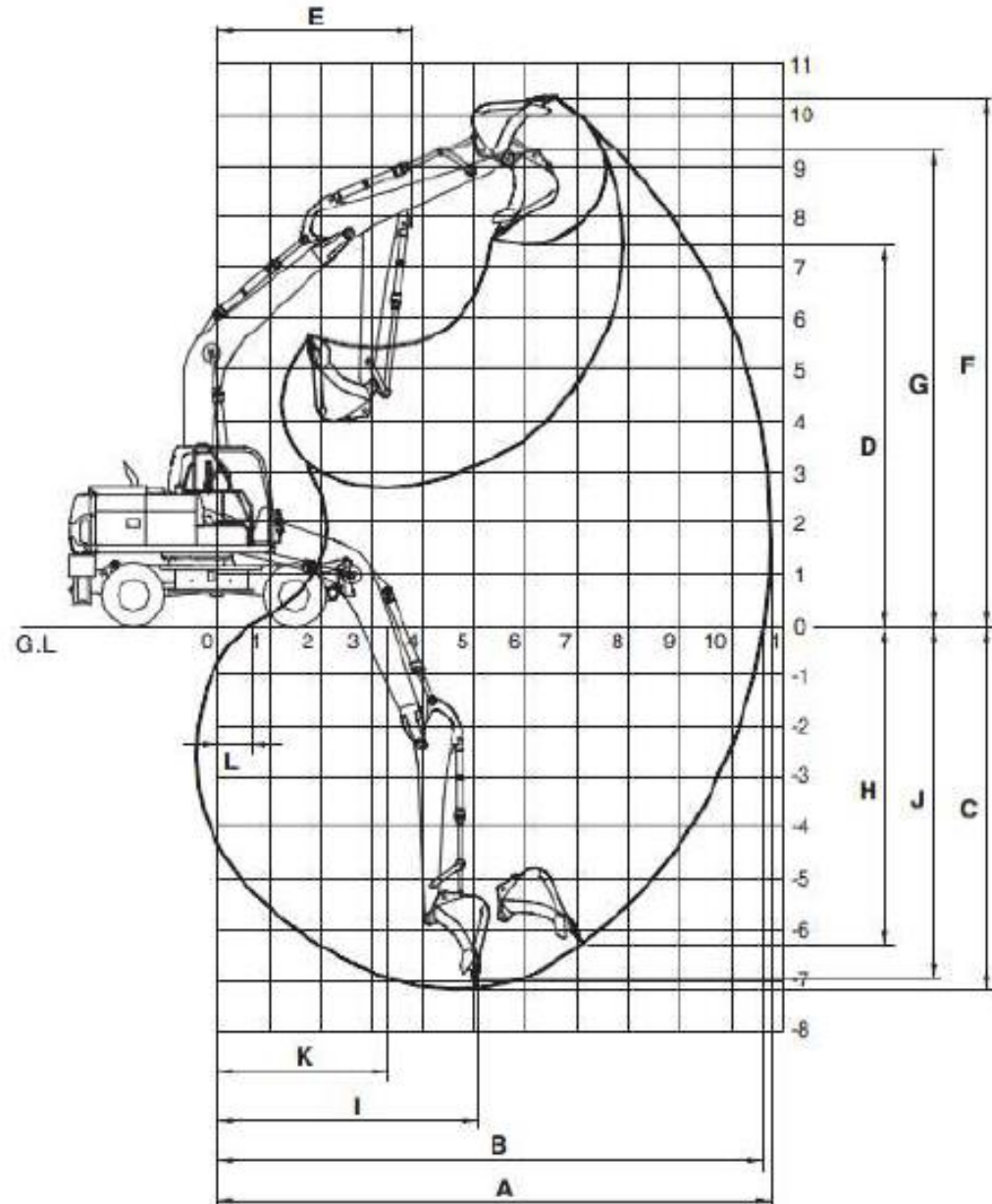
# DX140W/160W working range monoboam

## DX140W-7 Standard configuration:

monoboam 4400mm with arm 2100mm

## DX160W-7 Standard configuration

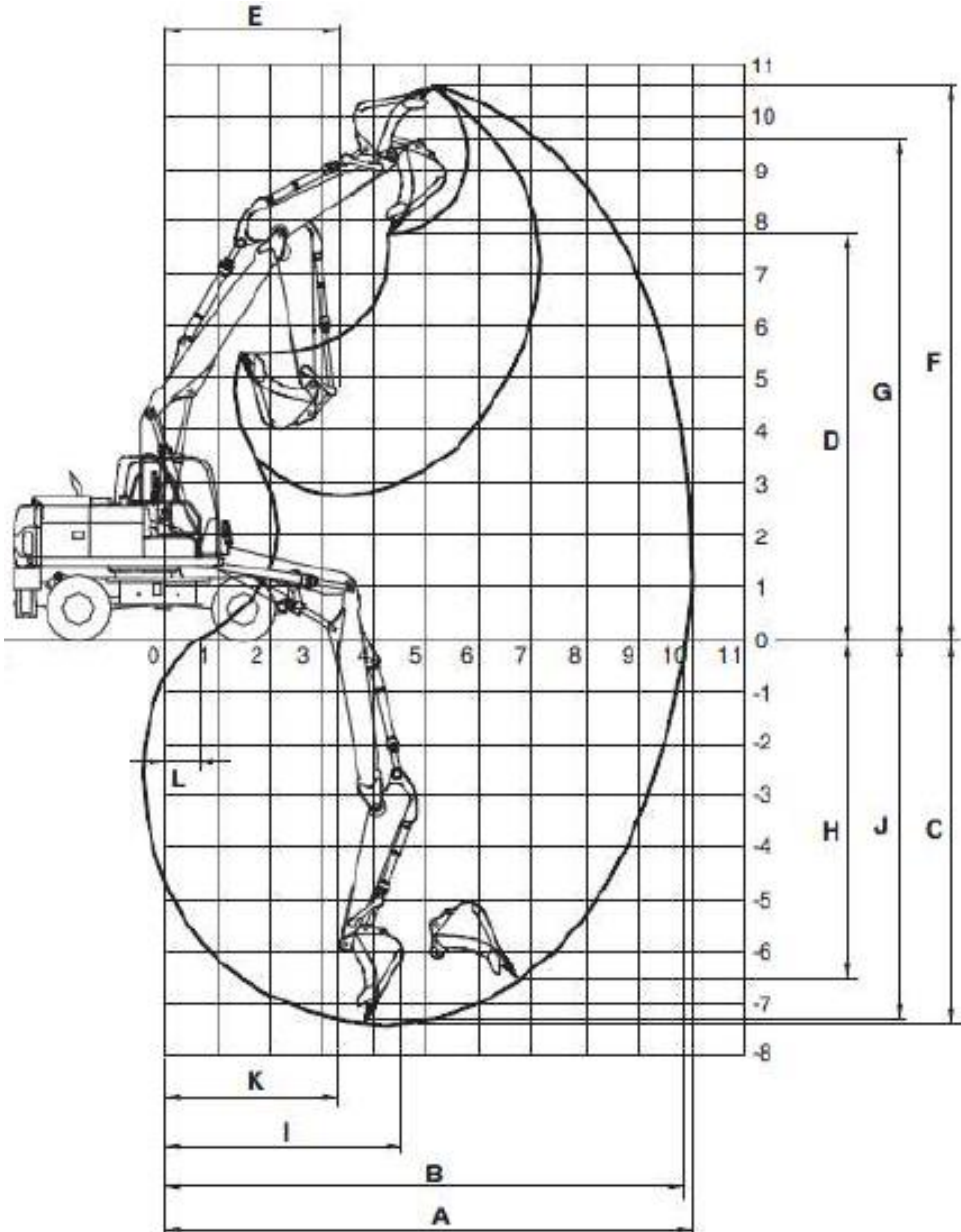
Monoboam 4600mm with arm 2500mm



# DX140W/160W working range monoboam

DISCRIPTION	4,400mm ONE-PIECE BOOM	4,600mm ONE-PIECE BOOM	
	2,100mm ARM	2,100mm ARM	2,500mm ARM
Max. Digging Reach	7,585 mm	7,765 mm	8,235 mm
Max. Digging Reach(Ground)	7,375 mm	7,560 mm	8,040 mm
Max. Digging Depth	4,490 mm	4,620 mm	5,020 mm
Max. Loading Height	5,905 mm	6,060 mm	6,510 mm
Min Swing Radius	2,340 mm	2,500 mm	2,665 mm
Max. Digging Height	8,195 mm	8,340 mm	8,850 mm
Max. Bucket Pin Height	7,125 mm	7,275 mm	7,730 mm
Max. Vertical Wall Depth	3,445 mm	3,480 mm	4,265 mm
Max. Radius Vertical	5,480 mm	5,695 mm	5,555 mm
Max Depth to 2.5m Line	4,215 mm	4,345 mm	4,805 mm
Min. Radius 2.5m Line	2,105 mm	2,240 mm	2,315 mm
Min. Digging Reach	455 mm	885 mm	505 mm

# DX140W/160W working range artiboom



# DX140W/160W working range artiboom

DISCRIPTION	4.987m TWO-PIECE BOOM	
	2,100mm ARM	2,500mm ARM
Max. Digging Reach	8,240 mm	8,700 mm
Max. Digging Reach(Ground)	8,050 mm	8,520 mm
Max. Digging Depth	5,025 mm	5,455 mm
Max. Loading Height	6,795 mm	7,260 mm
Min Swing Radius	2,505 mm	2,680 mm
Max. Digging Height	9,150 mm	9,655 mm
Max. Bucket Pin Height	8,010 mm	8,475 mm
Max. Vertical Wall Depth	3,840 mm	4,410 mm
Max. Radius Vertical	5,825 mm	5,680 mm
Max Depth to 2.5m Line	4,905 mm	5,345 mm
Min. Radius 2.5m Line	865 mm	865 mm

# DX140W-7 Lifting performance monoboam

## Monoboam Arm 2100mm CTW 2,5T Front Dozer and rear outriggers up

	F 1.5 m	S 1.5 m	F 3 m	S 3 m	F 4.5 m	S 4.5 m	F 6 m	S 6 m	Max. F	Max. S	Reach (m)
6 m					3.61 *	3.61 *			2.83 *	2.83 *	Max. at(m) 4.71
4.5 m					5.65 *	4,3			2.65 *	2.65 *	Max. at(m) 5.73
3 m			9.54 *	7,45	6.62 *	4,12	4.15 *	2,72	2.70 *	2,56	Max. at(m) 6.24
1.5 m					7.48 *	3,92	4,87	2,64	2.95 *	2,44	Max. at(m) 6.36
0 m			10.77 *	6,72	7,51	3,79	4.79 *	2,59	3.49 *	2,53	Max. at(m) 6.12
-1.5 m	8.49 *	8.49 *	9.94 *	6,74	6.90 *	3,78			4.74 *	2,94	Max. at(m) 5.46
-3 m			6.66 *	6.66 *					4.62 *	4,32	Max. at(m) 4.17

## Monoboam Arm 2100mm CTW 2,5T Front Dozer and rear outriggers down

	F 1.5 m	S 1.5 m	F 3 m	S 3 m	F 4.5 m	S 4.5 m	F 6 m	S 6 m	Max. F	Max. S	Reach (m)
6 m					3.61 *	3.61 *			2.83 *	2.83 *	Max. at(m) 4.71
4.5 m					5.65 *	5.65 *			2.65 *	2.65 *	Max. at(m) 5.73
3 m			9.54 *	9.54 *	6.62 *	6.62 *	4.15 *	4.15 *	2.70 *	2.70 *	Max. at(m) 6.24
1.5 m					7.48 *	6,62	5.60 *	4,31	2.95 *	2.95 *	Max. at(m) 6.36
0 m			10.77 *	10.77 *	7.69 *	6,48	4.79 *	4,25	3.49 *	3.49 *	Max. at(m) 6.12
-1.5 m	8.49 *	8.49 *	9.94 *	9.94 *	6.90 *	6,46			4.74 *	4.74 *	Max. at(m) 5.46
-3 m			6.66 *	6.66 *					4.62 *	4.62 *	Max. at(m) 4.17

# DX140W-7 Lifting performance artiboom

## Arti-boom Arm 2100mm CTW 2,5T Front Dozer and rear outriggers up

	F 3 m	S 3 m	F 4.5 m	S 4.5 m	F 6 m	S 6 m	Max. F	Max. S	Reach (m)
7.5 m							3.85 *	3.85 *	Max. at(m) 3.94
6 m			4.73 *	4,37			3.26 *	3,1	Max. at(m) 5.56
4.5 m	6.73 *	6.73 *	5.25 *	4,23	4.64 *	2,73	3.11 *	2,42	Max. at(m) 6.45
3 m			6.26 *	3,97	4,92	2,64	3.17 *	2,13	Max. at(m) 6.91
1.5 m			7.16 *	3,72	4,79	2,53	3.41 *	2,03	Max. at(m) 7.02
0 m			7,34	3,59	4,71	2,46	3.91 *	2,09	Max. at(m) 6.79
-1.5 m	9.78 *	6,46	7.00 *	3,58	4,71	2,46	4,5	2,37	Max. at(m) 6.20

## Arti-boom Arm 2100mm CTW 2,5T Front Dozer and rear outriggers down

	F 3 m	S 3 m	F 4.5 m	S 4.5 m	F 6 m	S 6 m	Max. F	Max. S	Reach (m)
7.5 m							3.85 *	3.85 *	Max. at(m) 3.94
6 m			4.73 *	4.73 *			3.26 *	3.26 *	Max. at(m) 5.56
4.5 m	6.73 *	6.73 *	5.25 *	5.25 *	4.64 *	4,44	3.11 *	3.11 *	Max. at(m) 6.45
3 m			6.26 *	6.26 *	4.98 *	4,34	3.17 *	3.17 *	Max. at(m) 6.91
1.5 m			7.16 *	6,45	5.35 *	4,22	3.41 *	3,36	Max. at(m) 7.02
0 m			7.44 *	6,3	5.48 *	4,14	3.91 *	3,49	Max. at(m) 6.79
-1.5 m	9.78 *	9.78 *	7.00 *	6,29	5.04 *	4,14	4.76 *	3,96	Max. at(m) 6.20

# DX160W-7 Lifting performance monoboam

## Monoboam Arm 2500mm CTW 3T Front Dozer and rear outriggers up

	F 1.5 m	S 1.5 m	F 3 m	S 3 m	F 4.5 m	S 4.5 m	F 6 m	S 6 m	Max. F	Max. S	Reach (m)
7.5 m									2.75 *	2.75 *	Max. at(m) 3.93
6 m					3.96 *	3.96 *			2.26 *	2.26 *	Max. at(m) 5.55
4.5 m					4.66 *	4.66 *	3.52 *	3,07	2.12 *	2.12 *	Max. at(m) 6.44
3 m			8.93 *	8,22	6.25 *	4,53	4.83 *	3	2.13 *	2.13 *	Max. at(m) 6.90
1.5 m					7.23 *	4,3	5,28	2,9	2.27 *	2.27 *	Max. at(m) 7.01
0 m			8.25 *	7,34	7.62 *	4,15	5,2	2,83	2.57 *	2,41	Max. at(m) 6.79
-1.5 m	6.30 *	6.30 *	10.38 *	7,33	7.15 *	4,1	5.00 *	2,82	3.20 *	2,71	Max. at(m) 6.20
-3 m			7.85 *	7,46	5.41 *	4,17			4.28 *	3,55	Max. at(m) 5.11

## Monoboam Arm 2500mm CTW 3T Front Dozer and rear outriggers down

	F 1.5 m	S 1.5 m	F 3 m	S 3 m	F 4.5 m	S 4.5 m	F 6 m	S 6 m	Max. F	Max. S	Reach (m)
7.5 m									2.75 *	2.75 *	Max. at(m) 3.93
6 m					3.96 *	3.96 *			2.26 *	2.26 *	Max. at(m) 5.55
4.5 m					4.66 *	4.66 *	3.52 *	3.52 *	2.12 *	2.12 *	Max. at(m) 6.44
3 m			8.93 *	8.93 *	6.25 *	6.25 *	4.83 *	4,79	2.13 *	2.13 *	Max. at(m) 6.90
1.5 m					7.23 *	7,21	5.50 *	4,69	2.27 *	2.27 *	Max. at(m) 7.01
0 m			8.25 *	8.25 *	7.62 *	7,03	5.59 *	4,61	2.57 *	2.57 *	Max. at(m) 6.79
-1.5 m	6.30 *	6.30 *	10.38 *	10.38 *	7.15 *	6,98	5.00 *	4,59	3.20 *	3.20 *	Max. at(m) 6.20
-3 m			7.85 *	7.85 *	5.41 *	5.41 *			4.28 *	4.28 *	Max. at(m) 5.11

# DX160W-7 Lifting performance artiboom

## Arti-boom Arm 2100mm CTW 3T Front Dozer and rear outriggers up

	F 3 m	S 3 m	F 4.5 m	S 4.5 m	F 6 m	S 6 m	Max. F	Max. S	Reach (m)
7.5 m							3.85 *	3.85 *	Max. at(m) 3.94
6 m			4.73 *	4.73 *			3.26 *	3.26 *	Max. at(m) 5.56
4.5 m	6.73 *	6.73 *	5.25 *	4,65	4.64 *	3,03	3.11 *	2,69	Max. at(m) 6.45
3 m			6.26 *	4,39	4.98 *	2,93	3.17 *	2,38	Max. at(m) 6.91
1.5 m			7.16 *	4,14	5,23	2,83	3.41 *	2,28	Max. at(m) 7.02
0 m			7.44 *	4,02	5,15	2,76	3.91 *	2,35	Max. at(m) 6.79
-1.5 m	9.78 *	7,2	7.00 *	4,01	5.04 *	2,76	4.76 *	2,65	Max. at(m) 6.20

## Arti-boom Arm 2100mm CTW 3T Front Dozer and rear outriggers down

	F 3 m	S 3 m	F 4.5 m	S 4.5 m	F 6 m	S 6 m	Max. F	Max. S	Reach (m)
7.5 m							3.85 *	3.85 *	Max. at(m) 3.94
6 m			4.73 *	4.73 *			3.26 *	3.26 *	Max. at(m) 5.56
4.5 m	6.73 *	6.73 *	5.25 *	5.25 *	4.64 *	4.64 *	3.11 *	3.11 *	Max. at(m) 6.45
3 m			6.26 *	6.26 *	4.98 *	4,75	3.17 *	3.17 *	Max. at(m) 6.91
1.5 m			7.16 *	7,07	5.35 *	4,63	3.41 *	3.41 *	Max. at(m) 7.02
0 m			7.44 *	6,92	5.48 *	4,55	3.91 *	3,84	Max. at(m) 6.79
-1.5 m	9.78 *	9.78 *	7.00 *	6,91	5.04 *	4,56	4.76 *	4,36	Max. at(m) 6.20

## E.O.D

**THIS MATERIAL IS CONFIDENTIAL AND INTERNAL USE ONLY.**

The information contained in this document, and any attachments thereto, is owned by Doosan Infracore and is strictly confidential. Unauthorized use, disclosure, sharing, or copying of such information is strictly prohibited.

If you have further inquiry on the material or authorization of use, please contact your existing POC(Point of Contact) in Doosan Infracore.

