

DEVELON

Attachment Catalogue



INDEX	2
NAVIGATING THROUGH THE CATALOGUE	3
WHY TO CHOOSE DEVELON ATTACHMENTS?	4
HEAVY EXCAVATOR ATTACHMENTS	5
PIN-ON QUICK COUPLERS (GEITH)	6
PINS KITS	8
G-CLASS BUCKETS (GENERAL DUTY)	10
H-CLASS BUCKETS (HEAVY DUTY).....	14
S-CLASS BUCKETS (SEVERE / ROCK DUTY)	18
X-CLASS BUCKETS (EXTREME / MINING DUTY)	20
GRADING BUCKETS (GEITH).....	22
HB BREAKERS	26
ORANGE PEEL GRAPPLES.....	28
SORTING GRAPPLES.....	30
HEAVY DUTY BUCKETS (GEITH).....	32
SEVERE / ROCK DUTY BUCKETS (GEITH))	36
MINI EXCAVATOR ATTACHMENTS	41
BUCKET SETS (GEITH).....	42
HB BREAKERS	44
WHEEL LOADER ATTACHMENTS	47
QUICK COUPLERS (+ CONTROL KITS)	48
ECO GENERAL PURPOSE BUCKETS	50
PERFORMANCE GENERAL PURPOSE BUCKETS.....	52
PALLET FORKS	56
COMPACT WHEEL LOADER ATTACHMENTS	59
GENERAL PURPOSE BUCKETS.....	60
4-IN-1 BUCKETS	62
PALLET FORKS	64
HIGH DUMP BUCKETS.....	66
LIGHT MATERIAL BUCKETS.....	68
MANURE FORKS WITH GRAPPLE	70
BUCKETS WITH GRAPPLE	72
BALE CLAMPS.....	74
LEVELLING / GRADING BUCKETS.....	76

SKELETON BUCKETS.....	78
LEVELLING FRAMES.....	80
SNOW BLADES.....	82
PUSH BROOMS.....	84

NAVIGATING THROUGH THE CATALOGUE

The image shows a screenshot of the Develon catalogue index page. At the top left is the Develon logo with a house icon. A blue arrow points from the house icon to the text 'on each page, click on this icon to get back to this index'. Another blue arrow points from the text 'click on the links to access each attachment' to the links in the index table. The index table lists various attachment categories and their corresponding page numbers.

DEVELON 	on each page, click on this icon to get back to this index
INDEX.....	2
NAVIGATING THROUGH THE CATALOGUE.....	3
WHY TO CHOOSE DEVELON ATTACHMENTS?.....	4
HEAVY EXCAVATOR ATTACHMENTS.....	5
PIN-ON QUICK COUPLERS (GEITH).....	6
PINS KITS.....	8
G-CLASS BUCKETS (GENERAL DUTY).....	10
H-CLASS BUCKETS (HEAVY DUTY).....	14
S-CLASS BUCKETS (SEVERE / ROCK DUTY).....	18
X-CLASS BUCKETS (EXTREME / MINING DUTY).....	20
GRADING BUCKETS (GEITH).....	22
HB BREAKERS.....	26
ORANGE PEEL GRAPPLES.....	28
SORTING GRAPPLES.....	30
HEAVY DUTY BUCKETS (GEITH).....	32
SEVERE / ROCK DUTY BUCKETS (GEITH).....	36
MINI EXCAVATOR ATTACHMENTS.....	41
BUCKET SETS (GEITH).....	42
HB BREAKERS.....	44
WHEEL LOADER ATTACHMENTS.....	47
QUICK COUPLERS (+ CONTROL KITS).....	48
ECO GENERAL PURPOSE BUCKETS.....	50
PERFORMANCE GENERAL PURPOSE BUCKETS.....	52
PALLET FORKS.....	56
COMPACT WHEEL LOADER ATTACHMENTS.....	59
GENERAL PURPOSE BUCKETS.....	60
4-IN-1 BUCKETS.....	62
PALLET FORKS.....	64
HIGH DUMP BUCKETS.....	66
LIGHT MATERIAL BUCKETS.....	68
MANURE FORKS WITH GRAPPLE.....	70
BUCKETS WITH GRAPPLE.....	72
BALE CLAMPS.....	74
LEVELLING / GRADING BUCKETS.....	76

WHY TO CHOOSE DEVELON ATTACHMENTS?

1. EASY TO ORDER

You don't need to contact multiple companies and coordinate the deliveries
Order your attachments with your machine, and we'll coordinate the shipments for you.

2. NO RISK WITH WARRANTY

With Develon-branded attachments, you're sure that no warranty issue will be rejected because of the attachments you use.

3. BEST PERFORMANCE

Develon attachments are verified by our engineering teams, ensuring that they fit and perform perfectly on your machine

DEVELON

HEAVY EXCAVATOR ATTACHMENTS

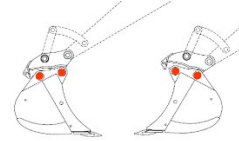


PRODUCT VIEW



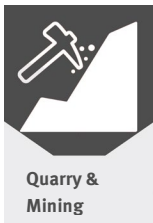
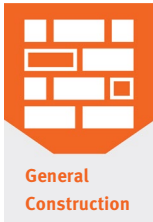
FEATURES & BENEFITS

- 7 different models : 14 to 53 tons models are available
- Convenience : Helps to change attachments easily
- Bucket reversibility : Use it as a shovel when required



- EN 474-1 & ISO 13031 Compliant
- Front & Rear Safety Lock
- High Strength Steel
- Low maintenance : no greasing points
- Includes hydraulic hoses to connect to the machine

APPLICATIONS



REQUIREMENTS ON MACHINE

- **Quick coupler piping** required.

CHANNEL TO USE FOR ORDERS

Doobiz **SALES**

RANGE

Option number	Part number	Description
-	QH65H-AL	DX140 to DX165, Universal Pin-on Quick Coupler - dimensions 455X877X436; weight 183 kg
-	QH71H-AL	DX170, Universal Pin-on Quick Coupler - dimensions 455X823X498; weight 186 kg
-	QH80H-AL	DX180 to DX255, Universal Pin-on Quick Coupler - dimensions 482X1072X510; weight 327 kg
-	QH90H-AL	DX300, Universal Pin-on Quick Coupler - dimensions 555X1100X500; weight 436 kg
-	QH100HAL	DX340 to DX380, Universal Pin-on Quick Coupler - dimensions 611X1137X640; weight 721 kg
-	QH110HAL	DX420, Universal Pin-on Quick Coupler - dimensions 675X1137X666; weight 744 kg
-	QH120HAL	DX490 to 530, Universal Pin-on Quick Coupler - dimensions 680X1393X780; weight 1,150 kg

COMPATIBILITY

Option number	Part number	DX140 W-7	DX160 W-7	DX165 WR-7	DX170 W-7	DX190 W-7	DX210 W-7
-	QH65H-AL	X	X	X			
-	QH71H-AL				X		
-	QH80H-AL					X	X

Option number	SAP part number	DX140 LC-7	DX140 LCR-7	DX160 LC-7-HT	DX210 -7	DX210 LC-7	DX210 NLC-7	DX225 LC-7	DX225 -7X	DX225 LC-7 SLR	DX235 LC-7	DX235 LCR-7	DX245 NHD-7	DX255 LC-7
N/A	QH65H-AL	X	X	X						X				
N/A	QH80H-AL				X	X	X	X	X		X	X	X	X

Option number	Part number	DX300 LC-7	DX300 LC-7 SLR	DX350 LC-7	DX380 LC-7	DX420 LC-7	DX490 LC-7	DX530 LC-7	DX530 LC-7 SLR	DX800 LC-7	DX1000 LC-7
N/A	QH65H-AL		X								
N/A	QH80H-AL										
N/A	QH90H-AL	X									
N/A	QH100HAL			X	X						
N/A	QH110HAL					X					
N/A	QH120HAL						X	X			

Option number	Part number	DX230 WMH-7	DX250 WMH-7
-	QH80H-AL	X	X

PRODUCT VIEW

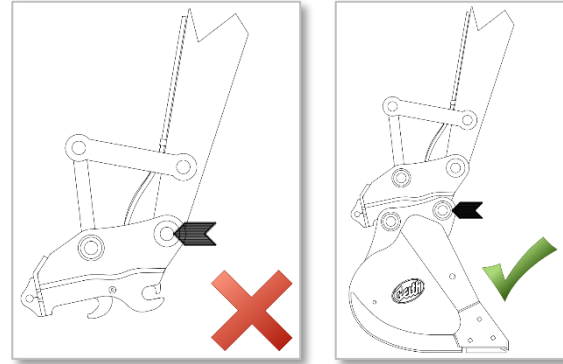


FEATURES & BENEFITS

- Pins for buckets used on pin-on quick couplers

 **NEVER USE THESE PINS ON THE ARM**

 **YOU WOULD BREAK THE ARM**



APPLICATIONS



General
Construction



Earth
Moving



Heavy
Construction



Quarry &
Mining



Demolition

REQUIREMENTS ON MACHINE

- **Pin-on quick coupler** required

CHANNEL TO USE FOR ORDERS

Doobiz **SALES**

RANGE

Option number	Part number	Description
N/A	120501-02252	DX140 to DX165, Set of 2 attachment pins Ø65 mm - dimensions 130X65X431; weight 22.4 kg
N/A	120501-02253	DX170, Set of 2 attachment pins Ø71 mm - dimensions 142X71X446; weight 27.3 kg
N/A	120501-02254	DX180 to DX255, Set of 2 attachment pins Ø80 mm - dimensions 160X80X533; weight 41 kg
N/A	120501-02255	DX300, Set of 2 attachment pins Ø90 mm - dimensions 180X90X640; weight 64 kg
N/A	120501-02256	DX340 to DX380, Set of 2 attachment pins Ø100 mm - dimensions 200X100X640; weight 79 kg
N/A	120501-02257	DX420, Set of 2 attachment pins Ø110 mm - dimensions 220X110X713; weight 106 kg
N/A	120501-02258	DX490 to 530, Set of 2 attachment pins Ø120 mm - dimensions 240X120X686; weight 120 kg

COMPATIBILITY

Option number	Part number	DX140 W-7	DX160 W-7	DX165 WR-7	DX170 W-7	DX190 W-7	DX210 W-7
N/A	120501-02252	X	X	X			
N/A	120501-02253				X		
N/A	120501-02254					X	X

Option number	Part number	DX140 LC-7	DX140 LCR-7	DX160 LC-7-HT	DX210 -7	DX210 LC-7	DX210 NLC-7	DX225 LC-7	DX225 -7X	DX225 LC-7 SLR	DX235 LC-7	DX235 LCR-7	DX245 NHD-7	DX255 LC-7
N/A	120501-02252	X	X	X						X				
N/A	120501-02254				X	X	X	X	X		X	X	X	X

Option number	Part number	DX300 LC-7	DX300 LC-7 SLR	DX350 LC-7	DX380 LC-7	DX420 LC-7	DX490 LC-7	DX530 LC-7	DX530 LC-7 SLR	DX800 LC-7	DX1000 LC-7
N/A	120501-02252		X								
N/A	120501-02253								X		
N/A	120501-02255	X									
N/A	120501-02256			X	X						
N/A	120501-02257					X					
N/A	120501-02258						X	X			

PRODUCT VIEW



FEATURES & BENEFITS

- Wide offer :
 - 47 different models
 - available on 14 to 55 tons Excavators
- Structurally strong :
 - Diamond folded section on top of bucket
 - High grade materials
- Resistance to wear :
 - Casted corner protection
 - Genuine Develon **General Duty (GD)** teeth
 - HB400-500 steel on blade and wear parts
- 1 bend only :
 - Cost saving
 - Easier levelling



APPLICATIONS



REQUIREMENTS ON MACHINE

- **Direct mount** or **pin-on quick coupler**

CHANNEL TO USE FOR ORDERS

Doobiz **SALES**

RANGE

Option number	Part number	Description (GD = General Duty)
C_ABUK_039	230104-01198C	DX140-165 DX225SLR DX300SLR Develon general purpose bucket, width 825mm, capacity 0.39m ³ , 4 GD teeth
C_ABUK_045	230104-01194C	DX140-165 Develon general purpose bucket, width 911mm, capacity 0.45m ³ , 5 GD teeth
C_ABUK_051	230104-01200C	DX140-165 Develon general purpose bucket, width 996mm, capacity 0.51m ³ , 5 GD teeth
C_ABUK_059	230104-01192C	DX140-165 Develon general purpose bucket, width 1086mm, capacity 0.59m ³ , 5 GD teeth
C_ABUK_076	230104-01204C	DX140-165 Develon general purpose bucket, width 1344mm, capacity 0.76m ³ , 6 GD teeth
C_ABUK_066	230104-01292B	DX170W Develon general purpose bucket, width 1058mm, capacity 0.66m ³ , 4 GD teeth
C_ABUK_076	230104-01221B	DX190W Develon general purpose bucket, width 1133mm, capacity 0.76m ³ , 5 GD teeth
C_ABUK_080	230104-01223B	DX190W Develon general purpose bucket, width 1177mm, capacity 0.80m ³ , 5 GD teeth
C_ABUK_086	230104-01290C	DX210W Develon general purpose bucket, width 1170mm, capacity 0.86m ³ , 5 GD teeth
C_ABUK_081	230104-01251E	DX210-255 Develon general purpose bucket, width 1125mm, capacity 0.81m ³ , 5 GD teeth
C_ABUK_092	230104-04386	DX225-235 Develon general purpose bucket, width 1232mm, capacity 0.92m ³ , 5 GD teeth
C_ABUK_105	230104-01253E	DX210-255 Develon general purpose bucket, width 1369mm, capacity 1.05m ³ , 5 GD teeth
C_ABUK_117	230104-01255E	DX210-255 Develon general purpose bucket, width 1490mm, capacity 1.17m ³ , 6 GD teeth
C_ABUK_128	230104-01257E	DX210-255 Develon general purpose bucket, width 1604mm, capacity 1.28m ³ , 6 GD teeth
C_ABUK_140	230104-01288C	DX255 Develon general purpose bucket, width 1658mm, capacity 1.40m ³ , 6 GD teeth
C_ABUK_110	230104-01279C	DX255 Develon general purpose bucket, width 1367mm, capacity 1.10m ³ , 5 GD teeth
C_ABUK_080	230104-00586C	DX300 Develon general purpose bucket, width 1032mm, capacity 0.80m ³ , 4 GD teeth
C_ABUK_103	230104-00589C	DX300 Develon general purpose bucket, width 1242mm, capacity 1.03m ³ , 5 GD teeth
C_ABUK_11R	230104-00583E	DX300 Develon general purpose bucket, width 1432mm, capacity 1.16m ³ , 5 GD teeth
C_ABUK_127	230104-00580C	DX300 DX530SLR Develon general purpose bucket, width 1442mm, capacity 1.27m ³ , 5 GD teeth
C_ABUK_150	230104-00592C	DX300 Develon general purpose bucket, width 1652mm, capacity 1.51m ³ , 6 GD teeth
C_ABUK_175	230104-00595C	DX300 Develon general purpose bucket, width 1862mm, capacity 1.75m ³ , 6 GD teeth
C_ABUK_13R	230104-00628E	DX350 Develon general purpose bucket, width 1382mm, capacity 1.28m ³ , 5 GD teeth
C_ABUK_149	230104-00616C	DX350 Develon general purpose bucket, width 1455mm, capacity 1.49m ³ , 5 GD teeth
C_ABUK_125	230104-00619C	DX350-380 Develon general purpose bucket, width 1273mm, capacity 1.25m ³ , 5 GD teeth
C_ABUK_161	230104-00622C	DX350-380 Develon general purpose bucket, width 1545mm, capacity 1.61m ³ , 5 GD teeth
C_ABUK_183	230104-00625C	DX350-380 Develon general purpose bucket, width 1713mm, capacity 1.83m ³ , 6 GD teeth
C_ABUK_14R	230104-00654E	DX380 Develon general purpose bucket, width 1434mm, capacity 1.37m ³ , 5 GD teeth
C_ABUK_15R	230104-00855C	DX420 Develon general purpose bucket, width 1497mm, capacity 1.51m ³ , 5 GD teeth
C_ABUK_214	230104-00833B	DX490-530 Develon general purpose bucket, width 1663mm, capacity 2.14m ³ , 5 GD teeth
C_ABUK_239	230104-00845B	DX490-530 Develon general purpose bucket, width 1819mm, capacity 2.39m ³ , 5 GD teeth
C_ABUK_286	230104-00849B	DX490-530 Develon general purpose bucket, width 2111mm, capacity 2.86m ³ , 6 GD teeth
C_ABUK_17R	230104-00881C	DX490-530 Develon general purpose bucket, width 1572mm, capacity 1.71m ³ , 5 GD teeth

COMPATIBILITY

Option number	Part number	DX140 W-7	DX160 W-7	DX165 WR-7	DX170 W-7	DX190 W-7	DX210 W-7
C_ABUK_039	230104-01198C	X	X	X			
C_ABUK_045	230104-01194C	X	X	X			
C_ABUK_051	230104-01200C	X	X	X			
C_ABUK_059	230104-01192C	X	X	X			
C_ABUK_076	230104-01204C	X	X	X			
C_ABUK_066	230104-01292B				X		
C_ABUK_076	230104-01221B					X	
C_ABUK_080	230104-01223B					X	
C_ABUK_086	230104-01290C						X
C_ABUK_081	230104-01251E						X
C_ABUK_105	230104-01253E						X
C_ABUK_117	230104-01255E						X
C_ABUK_128	230104-01257E						X

Option number	Part number	DX140 LC-7	DX140 LCR-7	DX160 LC-7 HT	DX210 -7	DX210 LC-7	DX210 NLC-7	DX225 LC-7	DX225 -7X	DX225 LC-7 SLR	DX235 LC-7	DX235 LCR-7	DX245 NHD-7	DX255 LC-7
C_ABUK_039	230104-01198C	X	X	X										
C_ABUK_045	230104-01194C	X	X	X										
C_ABUK_051	230104-01200C	X	X	X										
C_ABUK_059	230104-01192C	X	X	X										
C_ABUK_076	230104-01204C	X	X	X										
C_ABUK_081	230104-01251E				X	X	X	X	X		X	X	X	X
C_ABUK_092	230104-04386							X	X			X		
C_ABUK_105	230104-01253E				X	X	X	X	X		X	X	X	X
C_ABUK_117	230104-01255E				X	X	X	X	X		X	X	X	X
C_ABUK_128	230104-01257E				X	X	X	X	X		X	X	X	X
C_ABUK_140	230104-01288C													X
C_ABUK_110	230104-01279C													X

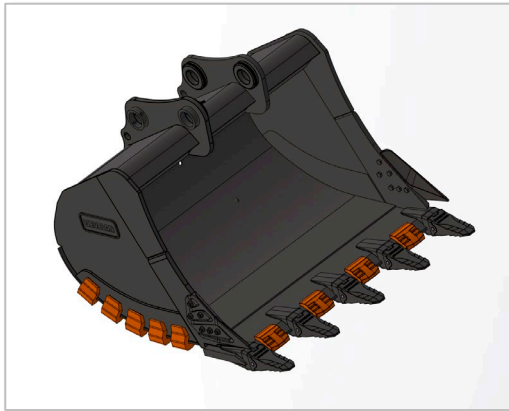
Option number	Part number	DX300 LC-7	DX300 LC-7 SLR	DX350 LC-7	DX380 LC-7	DX420 LC-7	DX490 LC-7	DX530 LC-7	DX530 LC-7 SLR	DX800 LC-7	DX1000 LC-7
C_ABUK_080	230104-00586C	X									
C_ABUK_103	230104-00589C	X									
C_ABUK_11R	230104-00583E	X									
C_ABUK_127	230104-00580C	X									
C_ABUK_150	230104-00592C	X									
C_ABUK_175	230104-00595C	X									
C_ABUK_13R	230104-00628E			X							
C_ABUK_149	230104-00616C			X							
C_ABUK_125	230104-00619C			X	X						
C_ABUK_161	230104-00622C			X	X						
C_ABUK_183	230104-00625C			X	X						
C_ABUK_14R	230104-00654E					X					
C_ABUK_15R	230104-00855C					X					
C_ABUK_214	230104-00833B						X	X			
C_ABUK_239	230104-00845B						X	X			
C_ABUK_286	230104-00849B						X	X			
C_ABUK_17R	230104-00881C						X	X			

PRODUCT VIEW

H class, standard version



H class, PLUS version



FEATURES & BENEFITS

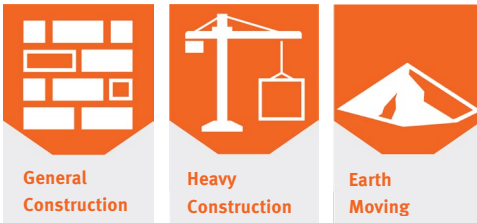
- Wide offer :
 - 47 different models
 - available on 14 to 80 tons Excavators
- Structurally strong :
 - Diamond folded section on top of bucket
 - High grade materials
- Excellent penetration & resistance to wear :
 - Optimized side cutters shape
 - Casted corner protection designed to optimize penetration
 - Genuine Develon **Heavy Duty (HD)** teeth
 - HB400-500 steel on blade and wear parts
- Optimize your machine performance :
 - Deep profile to maximize the capacity carried
 - Low tip radius for greater breakout force



H-class PLUS :

- Additional protections against wear :
 - Corner protections
 - Segments between teeth
 - Only for DX490LC-7, DX530LC-7

APPLICATIONS



REQUIREMENTS ON MACHINE

- Direct mount or pin-on quick coupler

CHANNEL TO USE FOR ORDERS

Doobiz **SALES**

RANGE

Option number	Part number	Description (HD = Heavy Duty)
C_ABUK_31B	230104-02545B	DX140-165 Develon heavy duty bucket, width 642mm, capacity 0.31m ³ , 4 HD teeth
C_ABUK_31N	230104-03510B	DX140LCR Develon heavy duty bucket, width 642mm, capacity 0.31m ³ , 4 ESCO teeth
C_ABUK_42B	230104-02547B	DX140-165 Develon heavy duty bucket, width 792mm, capacity 0.42m ³ , 4 HD teeth
C_ABUK_52B	230104-02549B	DX140-165 Develon heavy duty bucket, width 942mm, capacity 0.52m ³ , 5 HD teeth
C_ABUK_52N	230104-03480B	DX140-160 Develon heavy duty bucket, width 942mm, capacity 0.52m ³ , 5 ESCO teeth
C_ABUK_60B	230104-02466B	DX140-165 Develon heavy duty bucket, width 1042mm, capacity 0.60m ³ , 5 HD teeth
C_ABUK_67B	230104-02551B	DX140-165 Develon heavy duty bucket, width 1142mm, capacity 0.67m ³ , 5 HD teeth
C_ABUK_67N	230104-03513B	DX140-160 Develon heavy duty bucket, width 1142mm, capacity 0.67m ³ , 5 ESCO teeth
C_ABUK_74B	230104-02553B	DX140-165 Develon heavy duty bucket, width 1242mm, capacity 0.74m ³ , 6 HD teeth
C_ABUK_06D	230104-02283C	DX210-255 Develon heavy duty bucket, width 796mm, capacity 0.60m ³ , 4 HD teeth
C_ABUK_08D	230104-02285C	DX210-255 Develon heavy duty bucket, width 946mm, capacity 0.76m ³ , 4 HD teeth
C_ABUK_08N	230104-03517A	DX225 Develon heavy duty bucket, width 946mm, capacity 0.76m ³ , 4 ESCO teeth
C_ABUK_09D	230104-02272C	DX210-255 Develon heavy duty bucket, width 1096mm, capacity 0.92m ³ , 5 HD teeth
C_ABUK_09N	230104-03516A	DX225 Develon heavy duty bucket, width 1096mm, capacity 0.92m ³ , 5 ESCO teeth
C_ABUK_11D	230104-02287C	DX210-255 Develon heavy duty bucket, width 1246mm, capacity 1.08m ³ , 5 HD teeth
C_ABUK_11N	230104-03482A	DX225 Develon heavy duty bucket, width 1246mm, capacity 1.08m ³ , 5 ESCO teeth
C_ABUK_12D	230104-02289B	DX210-255 Develon heavy duty bucket, width 1396mm, capacity 1.24m ³ , 5 HD teeth
C_ABUK_12D	230104-02289C	DX210-255 Develon heavy duty bucket, width 1396mm, capacity 1.24m ³ , 5 HD teeth
C_ABUK_13D	230104-02291C	DX210-255 Develon heavy duty bucket, width 1496mm, capacity 1.35m ³ , 6 HD teeth
C_ABUK_15D	230104-02295C	DX210-255 Develon heavy duty bucket, width 1646mm, capacity 1.51m ³ , 6 HD teeth
C_ABUK_14D	230104-02296C	DX210-255 Develon heavy duty bucket, width 1546mm, capacity 1.40m ³ , 6 HD teeth
C_ABUK_10D	230104-02269B	DX300 Develon heavy duty bucket, width 1108mm, capacity 1.04m ³ , 5 HD teeth
C_ABUK_12D	230104-02274B	DX300 Develon heavy duty bucket, width 1258mm, capacity 1.23m ³ , 5 HD teeth
C_ABUK_15D	230104-02264B	DX300 Develon heavy duty bucket, width 1458mm, capacity 1.47m ³ , 5 HD teeth
C_ABUK_16D	230104-02277B	DX300 Develon heavy duty bucket, width 1558mm, capacity 1.60m ³ , 5 HD teeth
C_ABUK_17D	230104-02279B	DX300 Develon heavy duty bucket, width 1658mm, capacity 1.72m ³ , 6 HD teeth
C_ABUK_18D	230104-02453B	DX350-380 Develon heavy duty bucket, width 1534mm, capacity 1.81m ³ , 6 HD teeth
C_ABUK_14D	230104-02497B	DX350-380 Develon heavy duty bucket, width 1272mm, capacity 1.44m ³ , 5 HD teeth
C_ABUK_17D	230104-02499B	DX350-380 Develon heavy duty bucket, width 1428mm, capacity 1.66m ³ , 5 HD teeth
C_ABUK_20D	230104-02501B	DX350-380 Develon heavy duty bucket, width 1684mm, capacity 2.03m ³ , 6 HD teeth
C_ABUK_23D	230104-02503B	DX350-380 Develon heavy duty bucket, width 1862mm, capacity 2.32m ³ , 6 HD teeth
C_ABUK_19D	230104-02436B	DX420 Develon heavy duty bucket, width 1464mm, capacity 1.92m ³ , 4 HD teeth
C_ABUK_16D	230104-02491B	DX420 Develon heavy duty bucket, width 1290mm, capacity 1.64m ³ , 4 HD teeth
C_ABUK_21D	230104-02493B	DX420 Develon heavy duty bucket, width 1600mm, capacity 2.14m ³ , 5 HD teeth
C_ABUK_25D	230104-02495B	DX420 Develon heavy duty bucket, width 1804mm, capacity 2.47m ³ , 5 HD teeth
C_ABUK_27D	230104-02266B	DX490-530 Develon heavy duty bucket, width 1766mm, capacity 2.72m ³ , 5 HD teeth
C_ABUK_21D	230104-02306B	DX490-530 Develon heavy duty bucket, width 1416mm, capacity 2.07m ³ , 4 HD teeth
C_ABUK_24D	230104-02307B	DX490-530 Develon heavy duty bucket, width 1566mm, capacity 2.35m ³ , 5 HD teeth
C_ABUK_29D	230104-02308B	DX490-530 Develon heavy duty bucket, width 1866mm, capacity 2.91m ³ , 6 HD teeth
C_ABUK_33D	230104-02309B	DX490-530 Develon heavy duty bucket, width 2066mm, capacity 3.28m ³ , 6 HD teeth
C_ABUK_33X	230104-04184	DX490-530 Develon heavy duty PLUS bucket, width 2066mm, capacity 3.28m ³ , 6 HD teeth
C_ABUK_26D	230104-04288	DX490-530 Develon heavy duty bucket, width 2700mm, capacity 3.60m ³ , 5 HD teeth
C_ABUK_36B	230104-04290	DX490-530 Develon heavy duty bucket, width 2096mm, capacity 3.60m ³ , 6 HD teeth
C_ABUK_38D	230104-04463	DX490-530 Develon heavy duty bucket, width 2196mm, capacity 3.80m ³ , 6 HD teeth
C_ABUK_46D	230104-02611A	DX800 Develon heavy duty bucket, width 1920mm, capacity 4.64m ³ , 5 HD teeth
C_ABUK_34D	230104-02640A	DX800 Develon heavy duty bucket, width 1720mm, capacity 3.42m ³ , 5 HD teeth
C_ABUK_56D	230104-03752B	DX800 Develon heavy duty bucket, width 2350mm, capacity 5.58m ³ , 5 HD teeth
C_ABUK_52D	230104-03760B	DX800 Develon heavy duty bucket, width 2226mm, capacity 5.24m ³ , 5 HD teeth

COMPATIBILITY

Option number	Part number	DX140 W-7	DX160 W-7	DX165 WR-7	DX170 W-7	DX190 W-7	DX210 W-7
C_ABUK_31B	230104-02545B			X			
C_ABUK_42B	230104-02547B			X			
C_ABUK_52B	230104-02549B			X			
C_ABUK_60B	230104-02466B			X			
C_ABUK_67B	230104-02551B			X			
C_ABUK_74B	230104-02553B			X			
C_ABUK_12D	230104-02289B						X

Option number	Part number	DX140 LC-7	DX140 LCR-7	DX160 LC-7-HT	DX210 -7	DX210 LC-7	DX210 NLC-7	DX225 LC-7	DX225 -7X	DX225 LC-7 SLR	DX235 LC-7	DX235 LCR-7	DX245 NHD-7	DX255 LC-7
C_ABUK_31B	230104-02545B	X	X	X										
C_ABUK_31N	230104-03510B	X	X	X										
C_ABUK_42B	230104-02547B	X	X	X										
C_ABUK_52B	230104-02549B	X	X	X										
C_ABUK_52N	230104-03480B	X	X	X										
C_ABUK_60B	230104-02466B	X	X	X										
C_ABUK_67B	230104-02551B	X	X	X										
C_ABUK_67N	230104-03513B	X	X	X										
C_ABUK_74B	230104-02553B	X	X	X										
C_ABUK_06D	230104-02283C				X	X	X	X	X		X	X	X	X
C_ABUK_08D	230104-02285C				X	X	X	X	X		X	X	X	X
C_ABUK_08N	230104-03517A							X	X			X		X
C_ABUK_09D	230104-02272C				X	X	X	X	X		X	X	X	X
C_ABUK_09N	230104-03516A							X	X			X		X
C_ABUK_11D	230104-02287C				X	X	X	X	X		X	X	X	X
C_ABUK_11N	230104-03482A							X	X			X		X
C_ABUK_12D	230104-02289B				X	X	X	X	X		X	X	X	X
C_ABUK_12D	230104-02289C				X	X	X	X	X		X	X	X	X
C_ABUK_13D	230104-02291C				X	X	X	X	X		X	X	X	X
C_ABUK_15D	230104-02295C				X	X	X	X	X		X	X	X	X
C_ABUK_14D	230104-02296C				X	X	X	X	X		X	X	X	X

Option number	Part number	DX300 LC-7	DX300 LC-7 SLR	DX350 LC-7	DX380 LC-7	DX420 LC-7	DX490 LC-7	DX530 LC-7	DX530 LC-7 SLR	DX800 LC-7	DX1000 LC-7
C_ABUK_10D	230104-02269B	X									
C_ABUK_12D	230104-02274B	X									
C_ABUK_15D	230104-02264B	X									
C_ABUK_16D	230104-02277B	X									
C_ABUK_17D	230104-02279B	X									
C_ABUK_18D	230104-02453B			X	X						
C_ABUK_14D	230104-02497B			X	X						
C_ABUK_17D	230104-02499B			X	X						
C_ABUK_20D	230104-02501B			X	X						
C_ABUK_23D	230104-02503B			X	X						
C_ABUK_19D	230104-02436B					X					
C_ABUK_16D	230104-02491B					X					
C_ABUK_21D	230104-02493B					X					
C_ABUK_25D	230104-02495B										
C_ABUK_27D	230104-02266B						X	X			
C_ABUK_21D	230104-02306B						X	X			
C_ABUK_38D	230104-04463					X	X				
C_ABUK_46D	230104-02611A							X			
C_ABUK_34D	230104-02640A							X			
C_ABUK_56D	230104-03752B							X			
C_ABUK_52D	230104-03760B							X			

PRODUCT VIEW

S class, standard version



S class, PLUS version



FEATURES & BENEFITS

- Wide offer :
 - 24 different models
 - Available on 20 to 100 tons Excavators
- Structurally strong :
 - Diamond folded section on top of bucket
 - High grade materials
- Excellent penetration & resistance to wear :
 - Optimized side cutters shape
 - Full side cutters protection
 - Extended side protection
 - Increased protection under the bucket
 - Genuine Develon **Severe Duty (SD)** teeth 
 - HB400-500 steel on blade and wear parts
- Optimize your machine performance :
 - Deep profile to maximize the capacity carried
 - Low tip radius for greater breakout force

S-class PLUS :

- Additional protections against wear :
 - Corner protections
 - Segments between teeth
 - Only DX1000LC-7

APPLICATIONS



Heavy
Construction



Quarry &
Mining

REQUIREMENTS ON MACHINE

- Direct mount or pin-on quick coupler

CHANNEL TO USE FOR ORDERS

Doobiz **SALES**

RANGE

Option number	Part number	Description (SD = Severe Duty)
C_ABUK_12E	230104-02476C	DX210-255 Develon severe / rock duty bucket, width 1394mm, capacity 1.23m ³ , 5 SD teeth
C_ABUK_09E	230104-02468C	DX210-255 Develon severe / rock duty bucket, width 1094mm, capacity 0.91m ³ , 4 SD teeth
C_ABUK_10E	230104-02474C	DX210-255 Develon severe / rock duty bucket, width 1244mm, capacity 1.07m ³ , 5 SD teeth
C_ABUK_11E	230104-02470C	DX300 Develon severe / rock duty bucket, width 1242mm, capacity 1.20m ³ , 5 SD teeth
C_ABUK_14E	230104-02478C	DX300 Develon severe / rock duty bucket, width 1442mm, capacity 1.45m ³ , 5 SD teeth
C_ABUK_16E	230104-02480C	DX300 Develon severe / rock duty bucket, width 1542mm, capacity 1.57m ³ , 5 SD teeth
C_ABUK_15E	230104-02505C	DX350 Develon severe / rock duty bucket, width 1352mm, capacity 1.56m ³ , 5 SD teeth
C_ABUK_17E	230104-02569C	DX350-380 Develon severe / rock duty bucket, width 1452mm, capacity 1.71m ³ , 5 SD teeth
C_ABUK_19E	230104-02571C	DX350-380 Develon severe / rock duty bucket, width 1602mm, capacity 1.92m ³ , 5 SD teeth
C_ABUK_22E	230104-02573C	DX350-380 Develon severe / rock duty bucket, width 1809mm, capacity 2.22m ³ , 6 SD teeth
C_ABUK_17E	230104-02507C	DX420 Develon severe / rock duty bucket, width 1364mm, capacity 1.77m ³ , 5 SD teeth
C_ABUK_20E	230104-02604C	DX420 Develon severe / rock duty bucket, width 1518mm, capacity 2.02m ³ , 5 SD teeth
C_ABUK_19E	230104-02472C	DX490-530 Develon severe / rock duty bucket, width 1350mm, capacity 1.94m ³ , 5 SD teeth
C_ABUK_22E	230104-02482C	DX490-530 Develon severe / rock duty bucket, width 1500mm, capacity 2.22m ³ , 5 SD teeth
C_ABUK_26E	230104-02484C	DX490-530 Develon severe / rock duty bucket, width 1700mm, capacity 2.59m ³ , 5 SD teeth
C_ABUK_28E	230104-02486C	DX490-530 Develon severe / rock duty bucket, width 1800mm, capacity 2.78m ³ , 6 SD teeth
C_ABUK_32E	230104-02488C	DX490-530 Develon severe / rock duty bucket, width 2000mm, capacity 3.15m ³ , 6 SD teeth
C_ABUK_46E	230104-02663A	DX800 Develon severe / rock duty bucket, width 1920mm, capacity 4.64m ³ , 6 SD teeth
C_ABUK_38E	230104-02673A	DX800 Develon severe / rock duty bucket, width 1620mm, capacity 3.75m ³ , 5 SD teeth
C_ABUK_40E	230104-02675A	DX800 Develon severe / rock duty bucket, width 1720mm, capacity 4.05m ³ , 5 SD teeth
C_ABUK_52E	230104-03844A	DX800 Develon severe / rock duty bucket, width 2226mm, capacity 5.24m ³ , 5 SD teeth
C_ABUK_56E	230104-03846A	DX800 Develon severe / rock duty bucket, width 2350mm, capacity 5.58m ³ , 5 SD teeth
C_ABUK_680	230104-03946E	DX1000 Develon 5-class PLUS bucket, width 2420mm, capacity 6.80m ³ , 5 SD teeth
C_ABUK_540	230104-04325C	DX1000 Develon 5-class PLUS bucket, width 2040mm, capacity 5.40m ³ , 5 SD teeth

COMPATIBILITY

Option number	Part number	DX140 LC-7	DX140 LCR-7	DX160 LC-7-HT	DX210 -7	DX210 LC-7	DX210 NLC-7	DX225 LC-7	DX225 -7X	DX225 LC-7 SLR	DX235 LC-7	DX235 LCR-7	DX245 NHD-7	DX255 LC-7
C_ABUK_12E	230104-02476C				X	X	X	X	X		X	X	X	X
C_ABUK_09E	230104-02468C				X	X	X	X	X		X	X	X	X
C_ABUK_10E	230104-02474C				X	X	X	X	X		X	X	X	X
Option number	Part number	DX300 LC-7	DX300 LC-7 SLR	DX350 LC-7	DX380 LC-7	DX420 LC-7	DX490 LC-7	DX530 LC-7	DX530 LC-7 SLR	DX800 LC-7	DX1000 LC-7			
C_ABUK_11E	230104-02470C	X												
C_ABUK_14E	230104-02478C	X												
C_ABUK_16E	230104-02480C	X												
C_ABUK_15E	230104-02505C			X	X									
C_ABUK_17E	230104-02569C			X	X									
C_ABUK_19E	230104-02571C			X	X									
C_ABUK_22E	230104-02573C			X	X									
C_ABUK_17E	230104-02507C					X								
C_ABUK_20E	230104-02604C					X								
C_ABUK_19E	230104-02472C						X	X						
C_ABUK_22E	230104-02482C						X	X						
C_ABUK_26E	230104-02484C						X	X						
C_ABUK_28E	230104-02486C						X	X						
C_ABUK_32E	230104-02488C						X	X						
C_ABUK_46E	230104-02663A									X				
C_ABUK_38E	230104-02673A									X				
C_ABUK_40E	230104-02675A									X				
C_ABUK_52E	230104-03844A									X				
C_ABUK_56E	230104-03846A									X				
C_ABUK_680	230104-03946E										X			
C_ABUK_540	230104-04325C										X			

PRODUCT VIEW



FEATURES & BENEFITS

- Offer :
 - 7 different models
 - Available on 34 to 100 tons Excavators
- Structurally strong :
 - Diamond folded section on top of bucket
 - High grade materials
- Excellent penetration & resistance to wear :
 - Optimized side cutters shape
 - Full side cutters protection
 - Extended side protection
 - Increased protection under the bucket
 - Genuine Develon **Severe Duty (SD)** teeth
 - HB400-500 steel on blade and wear parts
 - Corner protections
 - Segments between teeth
 - Wear protections inside bucket
- Optimize your machine performance :
 - Deep profile to maximize the capacity carried
 - Low tip radius for greater breakout force



APPLICATIONS



Heavy
Construction



Quarry &
Mining

REQUIREMENTS ON MACHINE

- Direct mount or pin-on quick coupler

CHANNEL TO USE FOR ORDERS

Doobiz **SALES**

RANGE

Option number	Part number	Description
C_ABUK_22F	230104-02996C	DX490-530 Develon Extreme / mining bucket, width 1520mm, capacity 2.22m ³ , 4 SD teeth
C_ABUK_26F	230104-02998C	DX490-530 Develon Extreme / mining bucket, width 1720mm, capacity 2.59m ³ , 5 SD teeth
C_ABUK_28F	230104-03000B	DX490-530 Develon Extreme / mining bucket, width 1820mm, capacity 2.78m ³ , 5 SD teeth
C_ABUK_38F	230104-03002A	DX800 Develon Extreme / mining bucket, width 1650mm, capacity 3.75m ³ , 5 SD teeth
C_ABUK_40F	230104-03004A	DX800 Develon Extreme / mining bucket, width 1750mm, capacity 4.05m ³ , 4 SD teeth
C_ABUK_46F	230104-03006	DX800 Develon Extreme / mining bucket, width 1950mm, capacity 4.64m ³ , 5 SD teeth
C_ABUK_52F	230104-03849	DX800 Develon Extreme / mining bucket, width 2226mm, capacity 5.24m ³ , 5 SD teeth

COMPATIBILITY

Option number	Part number	DX300 LC-7	DX300 LC-7 SLR	DX350 LC-7	DX380 LC-7	DX420 LC-7	DX490 LC-7	DX530 LC-7	DX530 LC-7 SLR	DX800 LC-7	DX1000 LC-7
C_ABUK_22F	230104-02996C						X	X			
C_ABUK_26F	230104-02998C						X	X			
C_ABUK_28F	230104-03000B						X	X			
C_ABUK_38F	230104-03002A									X	
C_ABUK_40F	230104-03004A									X	
C_ABUK_46F	230104-03006									X	
C_ABUK_52F	230104-03849									X	

PRODUCT VIEW



FEATURES & BENEFITS

- Reduced weight with high quality, abrasion resistant material.
- Extra side and bottom wear plates, using heat treated special alloy steel as standard.
- Two web plates inside the bucket provide additional strength, and distribute stresses evenly throughout the bucket.
- Deep profile ideal for levelling and loading applications.
- Optional reversible bolt on edge.

APPLICATIONS



REQUIREMENTS ON MACHINE

- Direct mount or pin-on quick coupler

CHANNEL TO USE FOR ORDERS

Doobiz **SALES**

RANGE

Option number	SAP part number	Description
GRADING BUCKETS		
N/A	230104-01010	DX140-165 Geith grading bucket, 0.470m ³ , width 1200mm (pins Ø65mm required for use with quick coupler)
N/A	230104-01011	DX140-165 Geith grading bucket, 0.600m ³ , width 1500mm (pins Ø65mm required for use with quick coupler)
N/A	230104-01012	DX140-165 Geith grading bucket, 0.730m ³ , width 1800mm (pins Ø65mm required for use with quick coupler)
N/A	230104-01013	DX140-165 Geith grading bucket, 0.810m ³ , width 2000mm (pins Ø65mm required for use with quick coupler)
N/A	230104-01031	DX170 Geith grading bucket, 0.800m ³ , width 1500mm (pins Ø71mm required for use with quick coupler)
N/A	230104-01032	DX170 Geith grading bucket, 0.980m ³ , width 1800mm (pins Ø71mm required for use with quick coupler)
N/A	230104-01033	DX170 Geith grading bucket, 1.090m ³ , width 2000mm (pins Ø71mm required for use with quick coupler)
N/A	230104-01052	DX180-245 Geith grading bucket, 0.800m ³ , width 1500mm (pins Ø80mm required for use with quick coupler)
N/A	230104-01053	DX180-245 Geith grading bucket, 0.980m ³ , width 1800mm (pins Ø80mm required for use with quick coupler)
N/A	230104-01054	DX180-245 Geith grading bucket, 1.090m ³ , width 2000mm (pins Ø80mm required for use with quick coupler)
N/A	230104-01055	DX180-245 Geith grading bucket, 1.160m ³ , width 2100mm (pins Ø80mm required for use with quick coupler)
N/A	230104-01072	DX255 Geith grading bucket, 1.100m ³ , width 1500mm (pins Ø80mm required for use with quick coupler)
N/A	230104-01073	DX255 Geith grading bucket, 1.370m ³ , width 1800mm (pins Ø80mm required for use with quick coupler)
N/A	230104-01074	DX255 Geith grading bucket, 1.630m ³ , width 2100mm (pins Ø80mm required for use with quick coupler)
N/A	230104-01075	DX255 Geith grading bucket, 1.890m ³ , width 2400mm (pins Ø80mm required for use with quick coupler)
N/A	230104-01090	DX300 Geith grading bucket, 1.100m ³ , width 1500mm (pins Ø90mm required for use with quick coupler)
N/A	230104-01091	DX300 Geith grading bucket, 1.370m ³ , width 1800mm (pins Ø90mm required for use with quick coupler)
N/A	230104-01092	DX300 Geith grading bucket, 1.630m ³ , width 2100mm (pins Ø90mm required for use with quick coupler)
N/A	230104-01093	DX300 Geith grading bucket, 1.890m ³ , width 2400mm (pins Ø90mm required for use with quick coupler)
OPTIONAL BOLT-ON EDGES		
N/A	101529-01994	DX140-165 kit 1800mm bolt-on edge for 230104-01012
N/A	101529-01995	DX180-245 kit 2100mm bolt-on edge for 230104-01055
N/A	101529-01996	DX255 kit 2400mm bolt-on edge for 230104-01075

COMPATIBILITY

Option number	Part number	DX140 W-7	DX160 W-7	DX165 WR-7	DX170 W-7	DX190 W-7	DX210 W-7
GRADING BUCKETS							
N/A	230104-01011	X	X	X			
N/A	230104-01012	X	X	X			
N/A	230104-01013	X	X	X			
N/A	230104-01031				X		
N/A	230104-01032				X		
N/A	230104-01033				X		
N/A	230104-01052					X	X
N/A	230104-01053					X	X
N/A	230104-01054					X	X
N/A	230104-01055					X	X
OPTIONAL BOLT-ON EDGES							
N/A	101529-01994	X	X	X			
N/A	101529-01995					X	X

Option number	Part number	DX140 LC-7	DX140 LCR-7	DX160 LC-7-HT	DX210 -7	DX210 LC-7	DX210 NLC-7	DX225 LC-7	DX225 -7X	DX225 LC-7 SLR	DX235 LC-7	DX235 LCR-7	DX245 NHD-7	DX255 LC-7
GRADING BUCKETS														
N/A	230104-01010	X	X											
N/A	230104-01011	X	X	X										
N/A	230104-01012	X	X	X										
N/A	230104-01013	X	X	X										
N/A	230104-01052				X	X	X	X	X		X	X	X	
N/A	230104-01053				X	X	X	X	X		X	X	X	
N/A	230104-01054				X	X	X	X	X		X	X	X	
N/A	230104-01055				X	X	X	X	X		X	X	X	
N/A	230104-01072													X
N/A	230104-01073													X
N/A	230104-01074													X
N/A	230104-01075													X
OPTIONAL BOLT-ON EDGES														
N/A	101529-01994	X	X	X										
N/A	101529-01995				X	X	X	X	X		X	X	X	
N/A	101529-01996													X

Option number	Part number	DX300 LC-7	DX300 LC-7 SLR	DX350 LC-7	DX380 LC-7	DX420 LC-7	DX490 LC-7	DX530 LC-7	DX530 LC-7 SLR	DX800 LC-7	DX1000 LC-7
GRADING BUCKETS											
N/A	230104-01010		X								
N/A	230104-01011		X								
N/A	230104-01090	X									
N/A	230104-01091	X									
N/A	230104-01092	X									
N/A	230104-01093	X									

PRODUCT VIEW



FEATURES & BENEFITS

- Offer :
 - 4 different models
 - Available on 14 to 30 tons Excavators
- Performance
 - Develon HB breakers offer powerful performance and top notch productivity, whether you are demolishing concrete or breaking rocks.
- Engineering Approved
 - HB series are optimized for Develon Excavators, fully certified by Develon engineering.
- One-Stop Service
 - Same as Develon Excavators, Develon breakers will be covered by strong Develon service network and Develon product specialists, providing “One-stop service” experience.
- Warranty
 - Avoid compatibility and warranty coverage arguments from using Non-approved breaker .
 - Develon offers standard warranty up to 2 Years .
- Total cost of ownership
 - Even with 2-year warranty, HB-series are offered at reasonable price, providing customer benefits in total cost of ownership

APPLICATIONS



Heavy
Construction



Quarry &
Mining



Demolition

REQUIREMENTS ON MACHINE

- **Fixing cap required** (Holes patterns are available in the operation manual. Not available at Develon, local supply required)
- Option **breaker piping with return line filter (PE3C)** required.

CHANNEL TO USE FOR ORDERS

Doobiz **PARTS**

RANGE

Option number	Part number	Description
N/A	230103-00148N	DX140-165 Develon Hydraulic Breaker HB15H, 350-700 bpm, 120 dB
N/A	230103-00352	DX140-165 Develon Hydraulic Breaker HB15FH, 350-700 bpm, 120 dB, with auto-greasing & protection against blank firing
N/A	230103-00154N	DX210-255 Develon Hydraulic Breaker HB22H, 350-500 bpm, 120 dB
N/A	230103-00154H	DX210-255 Develon Hydraulic Breaker HB22FH, 350-500 bpm, 120 dB, with auto-greasing & protection against blank firing
N/A	230103-00327	DX300-350 Develon Hydraulic Breaker HB32FH, 350-450 bpm, with auto-greasing & protection against blank firing

COMPATIBILITY

Option number	Part number	DX140 W-7	DX160 W-7	DX165 WR-7	DX170 W-7	DX190 W-7	DX210 W-7
N/A	230103-00148N	X	X	X	X		
N/A	230103-00352	X	X	X	X		
N/A	230103-00154N				X	X	
N/A	230103-00154H				X	X	

Option number	Part number	DX140 LC-7	DX140 LCR-7	DX160 LC-7-HT	DX210 -7	DX210 LC-7	DX210 NLC-7	DX225 LC-7	DX225 -7X	DX225 LC-7 SLR	DX235 LC-7	DX235 LCR-7	DX245 NHD-7	DX255 LC-7
N/A	230103-00148N	X	X	X										
N/A	230103-00352	X	X	X										
N/A	230103-00154N				X	X	X	X	X		X	X	X	X
N/A	230103-00154H				X	X	X	X	X		X	X	X	X

Option number	Part number	DX300 LC-7	DX300 LC-7 SLR	DX350 LC-7	DX380 LC-7	DX420 LC-7	DX490 LC-7	DX530 LC-7	DX530 LC-7 SLR	DX800 LC-7	DX1000 LC-7
N/A	230103-00327	X		X							

PRODUCT VIEW



FEATURES & BENEFITS

- Unlimited 360° Rotation: Allows the operator to rotate the grapple for perfect alignment or placement.
- Tines are made from high strength & abrasion resistant steel for a long life.
 - All hydraulic parts are protected.
 - Tine tips are replaceable.
 - Adjustable closing force to protect structure and cylinders.

APPLICATIONS



REQUIREMENTS ON MACHINE

- Gooseneck arm. (An adapter is needed to use the grapple on a standard arm)
- No hydraulics options required : All Develon material handlers are equipped with the required options :
PE3C (=2 way auxiliary hydraulic line)
PERO (=low flow auxiliary hydraulic line for rotating or tilting tool)

CHANNEL TO USE FOR ORDERS

Doobiz **SALES**

RANGE

Option number	Part number	Description
N/A	270502-00121	Orange peel grapple 0.6m ³ ; weight 1300 kg - ONLY FOR GOOSENECK ARM

COMPATIBILITY

Option number	Part number	DX230 WMH- 7	DX250 WMH- 7
N/A	270502-00121	X	X

PRODUCT VIEW



APPLICATIONS



FEATURES & BENEFITS

- Unlimited 360° Rotation: Allows the operator to rotate the grapple for perfect alignment or placement.
- Independent hydraulic lines on the Excavator provide the ability to independently control the rotation and open/close functions.
- Long life design :
 - Hydraulics are fully protected (enclosed)
 - Hardox makes it durable
- Easy maintenance : bolt-on blades

REQUIREMENTS ON MACHINE

- Compatible with straight arm
- Not compatible with Gooseneck arm.
- Can be installed as direct mount, or on a pin-on quick coupler
- No hydraulics options required : All Develon material handlers are equipped with the required options :
 - PE3C** (=2 way auxiliary hydraulic line)
 - PERO** (=low flow auxiliary hydraulic line for rotating or tilting tool)

CHANNEL TO USE FOR ORDERS

Doobiz **SALES**

RANGE

Option number	Part number	Description
N/A	270502-00003	Sorting grapple MG14, 450L, 360° rotation, jaw width 900mm
N/A	270502-00004	Sorting grapple MG22, 750L, 360° rotation, jaw width 1000mm

COMPATIBILITY

Option number	Part number	DX230 WMH- 7	DX250 WMH- 7
N/A	270502-00003	X	X
N/A	270502-00004	X	X

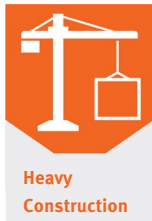
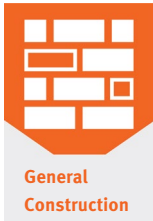
PRODUCT VIEW



FEATURES & BENEFITS

- Diamond folded top section for greater structural strength
- Deep profile for high capacity.
- Grading buckets available with bolt on cutting edge.
- Overlapping plate reduces stresses in critical areas.
- Dual Radius shape increases heel clearance

APPLICATIONS



REQUIREMENTS ON MACHINE

- Direct mount or pin-on quick coupler

CHANNEL TO USE FOR ORDERS

Doobiz **SALES**

RANGE

Option number	Part number	Description
N/A	230104-00998	DX140-165-2355LR Geith heavy duty bucket, 0.225m ³ , width 450mm, 3 teeth
N/A	230104-00999	DX140-165-2355LR Geith heavy duty bucket, 0.330m ³ , width 600mm, 3 teeth
N/A	230104-01000	DX140-165-2355LR Geith heavy duty bucket, 0.435m ³ , width 750mm, 4 teeth
N/A	230104-01001	DX140-165-2355LR Geith heavy duty bucket, 0.540m ³ , width 900mm, 5 teeth
N/A	230104-01002	DX140-165-2355LR Geith heavy duty bucket, 0.645m ³ , width 1050mm, 5 teeth
N/A	230104-01003	DX140-165-2355LR Geith heavy duty bucket, 0.750m ³ , width 1200mm, 5 teeth
N/A	230104-01014	DX170-3005LR Geith heavy duty bucket, 0.280m ³ , width 450mm, 3 teeth
N/A	230104-01015	DX170-3005LR Geith heavy duty bucket, 0.400m ³ , width 600mm, 3 teeth
N/A	230104-01016	DX170-3005LR Geith heavy duty bucket, 0.535m ³ , width 750mm, 4 teeth
N/A	230104-01017	DX170-3005LR Geith heavy duty bucket, 0.670m ³ , width 900mm, 5 teeth
N/A	230104-01018	DX170-3005LR Geith heavy duty bucket, 0.805m ³ , width 1050mm, 5 teeth
N/A	230104-01019	DX170-3005LR Geith heavy duty bucket, 0.940m ³ , width 1200mm, 5 teeth
N/A	230104-01035	DX180-235-5305LR Geith heavy duty bucket, 0.280m ³ , width 450mm, 3 teeth
N/A	230104-01036	DX180-235-5305LR Geith heavy duty bucket, 0.400m ³ , width 600mm, 3 teeth
N/A	230104-01037	DX180-235-5305LR Geith heavy duty bucket, 0.535m ³ , width 750mm, 4 teeth
N/A	230104-01038	DX180-235-5305LR Geith heavy duty bucket, 0.670m ³ , width 900mm, 5 teeth
N/A	230104-01039	DX180-235-5305LR Geith heavy duty bucket, 0.805m ³ , width 1050mm, 5 teeth
N/A	230104-01040	DX180-235-5305LR Geith heavy duty bucket, 0.940m ³ , width 1200mm, 5 teeth
N/A	230104-01041	DX180-235-5305LR Geith heavy duty bucket, 1.075m ³ , width 1350mm, 6 teeth
N/A	230104-01042	DX180-235-5305LR Geith heavy duty bucket, 1.210m ³ , width 1500mm, 6 teeth
N/A	230104-01056	DX255 Geith heavy duty bucket, 0.350m ³ , width 450mm, 3 teeth
N/A	230104-01057	DX255 Geith heavy duty bucket, 0.500m ³ , width 600mm, 3 teeth
N/A	230104-01058	DX255 Geith heavy duty bucket, 0.650m ³ , width 750mm, 4 teeth
N/A	230104-01059	DX255 Geith heavy duty bucket, 0.810m ³ , width 900mm, 4 teeth
N/A	230104-01060	DX255 Geith heavy duty bucket, 0.980m ³ , width 1050mm, 4 teeth
N/A	230104-01061	DX255 Geith heavy duty bucket, 1.140m ³ , width 1200mm, 5 teeth
N/A	230104-01062	DX255 Geith heavy duty bucket, 1.300m ³ , width 1350mm, 5 teeth
N/A	230104-01063	DX255 Geith heavy duty bucket, 1.470m ³ , width 1500mm, 5 teeth
N/A	230104-01076	DX300 Geith heavy duty bucket, 0.560m ³ , width 600mm, 3 teeth
N/A	230104-01077	DX300 Geith heavy duty bucket, 0.730m ³ , width 750mm, 4 teeth
N/A	230104-01078	DX300 Geith heavy duty bucket, 0.920m ³ , width 900mm, 4 teeth
N/A	230104-01080	DX300 Geith heavy duty bucket, 1.290m ³ , width 1200mm, 5 teeth
N/A	230104-01081	DX300 Geith heavy duty bucket, 1.480m ³ , width 1350mm, 5 teeth
N/A	230104-01082	DX300 Geith heavy duty bucket, 1.660m ³ , width 1500mm, 5 teeth
N/A	230104-01095	DX350-380 Geith heavy duty bucket, 0.860m ³ , width 750mm, 4 teeth
N/A	230104-01096	DX350-380 DX350-340 Geith heavy duty bucket, 1.070m ³ , width 900mm, 4 teeth
N/A	230104-01098	DX350-380 Geith heavy duty bucket, 1.500m ³ , width 1200mm, 5 teeth
N/A	230104-01099	DX350-380 Geith heavy duty bucket, 1.720m ³ , width 1350mm, 5 teeth
N/A	230104-01100	DX350-380 Geith heavy duty bucket, 1.940m ³ , width 1500mm, 5 teeth
N/A	230104-01967	DX350-380 Geith heavy duty bucket, 2.24m ³ , width 1683mm, 6 teeth
N/A	230104-01101	DX350-380 Geith heavy duty bucket, 2.160m ³ , width 1700mm, 6 teeth
N/A	230104-01127	DX420 Geith heavy duty bucket, 1.220m ³ , width 900mm, 4 teeth
N/A	230104-01129	DX420 Geith heavy duty bucket, 1.730m ³ , width 1200mm, 5 teeth
N/A	230104-01130	DX420 Geith heavy duty bucket, 1.980m ³ , width 1350mm, 5 teeth
N/A	230104-01131	DX420 Geith heavy duty bucket, 2.240m ³ , width 1500mm, 5 teeth
N/A	230104-01132	DX420 Geith heavy duty bucket, 2.490m ³ , width 1700mm, 6 teeth
N/A	230104-01973	DX420 Geith heavy duty bucket, 2.64m ³ , width 1800mm, 7 teeth
N/A	230104-01157	DX490-530 Geith heavy duty bucket, 1.890m ³ , width 1200mm, 5 teeth
N/A	230104-01158	DX490-530 Geith heavy duty bucket, 2.180m ³ , width 1350mm, 5 teeth
N/A	230104-01159	DX490-530 Geith heavy duty bucket, 2.460m ³ , width 1500mm, 5 teeth
N/A	230104-01160	DX490-530 Geith heavy duty bucket, 2.740m ³ , width 1700mm, 6 teeth
N/A	230104-01161	DX490-530 Geith heavy duty bucket, 3.030m ³ , width 1800mm, 7 teeth
N/A	230104-01016	DX170-3005LR Geith heavy duty bucket, 0.535m ³ , width 750mm, 4 teeth

COMPATIBILITY

Option number	Part number	DX140 W-7	DX160 W-7	DX165 WR-7	DX170 W-7	DX190 W-7	DX210 W-7
N/A	230104-00998	X	X	X			
N/A	230104-00999	X	X	X			
N/A	230104-01000	X	X	X			
N/A	230104-01001	X	X	X			
N/A	230104-01002	X	X	X			
N/A	230104-01003	X	X	X			
N/A	230104-01014				X		
N/A	230104-01015				X		
N/A	230104-01016				X		
N/A	230104-01017				X		
N/A	230104-01018				X		
N/A	230104-01019				X		
N/A	230104-01035					X	X
N/A	230104-01036					X	X
N/A	230104-01037					X	X
N/A	230104-01038					X	X
N/A	230104-01039					X	X
N/A	230104-01040					X	X
N/A	230104-01041					X	X
N/A	230104-01042					X	X

Option number	Part number	DX140 LC-7	DX140 LCR-7	DX160 LC-7-HT	DX210 -7	DX210 LC-7	DX210 NLC-7	DX225 LC-7	DX225 -7X	DX225 LC-7 SLR	DX235 LC-7	DX235 LCR-7	DX245 NHD-7	DX255 LC-7
N/A	230104-00998	X	X	X						X				
N/A	230104-00999	X	X	X										
N/A	230104-01000	X	X	X										
N/A	230104-01001	X	X	X										
N/A	230104-01002	X	X	X										
N/A	230104-01003	X	X	X										
N/A	230104-01035				X	X	X	X	X		X	X	X	
N/A	230104-01036				X	X	X	X	X		X	X	X	
N/A	230104-01037				X	X	X	X	X		X	X	X	
N/A	230104-01038				X	X	X	X	X		X	X	X	
N/A	230104-01039				X	X	X	X	X		X	X	X	
N/A	230104-01040				X	X	X	X	X		X	X	X	
N/A	230104-01041				X	X	X	X	X		X	X	X	
N/A	230104-01042				X	X	X	X	X		X	X	X	
N/A	230104-01056													X
N/A	230104-01057													X
N/A	230104-01058													X
N/A	230104-01059													X
N/A	230104-01060													X
N/A	230104-01061													X
N/A	230104-01062													X
N/A	230104-01063													X

COMPATIBILITY

Option number	Part number	DX300 LC-7	DX300 LC-7 SLR	DX350 LC-7	DX380 LC-7	DX420 LC-7	DX490 LC-7	DX530 LC-7	DX530 LC-7 SLR	DX800 LC-7	DX1000 LC-7
N/A	230104-00998		X								
N/A	230104-00999		X								
N/A	230104-01000		X								
N/A	230104-01035								X		
N/A	230104-01036								X		
N/A	230104-01037								X		
N/A	230104-01076	X									
N/A	230104-01077	X									
N/A	230104-01078	X									
N/A	230104-01080	X									
N/A	230104-01081	X									
N/A	230104-01082	X									
N/A	230104-01095			X	X						
N/A	230104-01096			X	X						
N/A	230104-01098			X	X						
N/A	230104-01099			X	X						
N/A	230104-01100			X	X						
N/A	230104-01967			X	X						
N/A	230104-01101			X	X						
N/A	230104-01127					X					
N/A	230104-01129					X					
N/A	230104-01130					X					
N/A	230104-01131					X					
N/A	230104-01132					X					
N/A	230104-01973					X					
N/A	230104-01157						X	X			
N/A	230104-01158						X	X			
N/A	230104-01159						X	X			
N/A	230104-01160						X	X			
N/A	230104-01161						X	X			

PRODUCT VIEW



FEATURES & BENEFITS

- All bucket components are 400 BHN or higher
- Diamond folded section wear plate provides Extra strength and wear protection
- Bottom wear straps using 400BHN to increase wear resistance
- Extra high side plate give higher strength and wear resistance in high wear areas
- 4 reinforcing gussets are used to strengthen up machine fittings

APPLICATIONS



Heavy
Construction



Quarry &
Mining

REQUIREMENTS ON MACHINE

- Direct mount or pin-on quick coupler

CHANNEL TO USE FOR ORDERS

Doobiz **SALES**

RANGE

Option number	Part number	Description
N/A	230104-01004	DX140-165 Geith severe / rock bucket, 0.225m ³ , width 450mm, 3 teeth
N/A	230104-01005	DX140-165 Geith severe / rock bucket, 0.330m ³ , width 600mm, 3 teeth
N/A	230104-01006	DX140-165 Geith severe / rock bucket, 0.435m ³ , width 750mm, 4 teeth
N/A	230104-01007	DX140-165 Geith severe / rock bucket, 0.540m ³ , width 900mm, 5 teeth
N/A	230104-01008	DX140-165 Geith severe / rock bucket, 0.645m ³ , width 1050mm, 5 teeth
N/A	230104-01009	DX140-165 Geith severe / rock bucket, 0.750m ³ , width 1200mm, 5 teeth
N/A	230104-01022	DX170 Geith severe / rock bucket, 0.280m ³ , width 450mm, 3 teeth
N/A	230104-01023	DX170 Geith severe / rock bucket, 0.400m ³ , width 600mm, 3 teeth
N/A	230104-01024	DX170 Geith severe / rock bucket, 0.535m ³ , width 750mm, 4 teeth
N/A	230104-01025	DX170 Geith severe / rock bucket, 0.670m ³ , width 900mm, 5 teeth
N/A	230104-01026	DX170 Geith severe / rock bucket, 0.805m ³ , width 1050mm, 5 teeth
N/A	230104-01043	DX180-245 Geith severe / rock bucket, 0.280m ³ , width 450mm, 3 teeth
N/A	230104-01044	DX180-245 Geith severe / rock bucket, 0.400m ³ , width 600mm, 3 teeth
N/A	230104-01045	DX180-245 Geith severe / rock bucket, 0.535m ³ , width 750mm, 4 teeth
N/A	230104-01046	DX180-245 Geith severe / rock bucket, 0.670m ³ , width 900mm, 5 teeth
N/A	230104-01047	DX180-245 Geith severe / rock bucket, 0.805m ³ , width 1050mm, 5 teeth
N/A	230104-01048	DX180-245 Geith severe / rock bucket, 0.940m ³ , width 1200mm, 5 teeth
N/A	230104-01049	DX180-245 Geith severe / rock bucket, 1.075m ³ , width 1350mm, 6 teeth
N/A	230104-01050	DX180-245 Geith severe / rock bucket, 1.210m ³ , width 1500mm, 6 teeth
N/A	230104-01065	DX255 Geith severe / rock bucket, 0.500m ³ , width 600mm, 3 teeth
N/A	230104-01066	DX255 Geith severe / rock bucket, 0.650m ³ , width 750mm, 4 teeth
N/A	230104-01067	DX255 Geith severe / rock bucket, 0.810m ³ , width 900mm, 4 teeth
N/A	230104-01068	DX255 Geith severe / rock bucket, 0.980m ³ , width 1050mm, 4 teeth
N/A	230104-01069	DX255 Geith severe / rock bucket, 1.140m ³ , width 1200mm, 5 teeth
N/A	230104-01070	DX255 Geith severe / rock bucket, 1.300m ³ , width 1350mm, 5 teeth
N/A	230104-01071	DX255 Geith severe / rock bucket, 1.470m ³ , width 1500mm, 5 teeth
N/A	230104-01083	DX300 Geith severe / rock bucket, 0.560m ³ , width 600mm, 3 teeth
N/A	230104-01084	DX300 Geith severe / rock bucket, 0.730m ³ , width 750mm, 4 teeth
N/A	230104-01085	DX300 Geith severe / rock bucket, 0.920m ³ , width 900mm, 4 teeth
N/A	230104-01086	DX300 Geith severe / rock bucket, 1.100m ³ , width 1050mm, 4 teeth
N/A	230104-01087	DX300 Geith severe / rock bucket, 1.290m ³ , width 1200mm, 5 teeth
N/A	230104-01088	DX300 Geith severe / rock bucket, 1.480m ³ , width 1350mm, 5 teeth
N/A	230104-01089	DX300 Geith severe / rock bucket, 1.660m ³ , width 1500mm, 5 teeth
N/A	230104-01102	DX340-380 Geith severe / rock bucket, 0.650m ³ , width 600mm, 3 teeth
N/A	230104-01103	DX340-380 Geith severe / rock bucket, 0.860m ³ , width 750mm, 4 teeth
N/A	230104-01104	DX340-380 Geith severe / rock bucket, 1.070m ³ , width 900mm, 4 teeth
N/A	230104-01105	DX340-380 Geith severe / rock bucket, 1.280m ³ , width 1050mm, 4 teeth
N/A	230104-01106	DX340-380 Geith severe / rock bucket, 1.500m ³ , width 1200mm, 5 teeth
N/A	230104-01107	DX340-380 Geith severe / rock bucket, 1.720m ³ , width 1350mm, 5 teeth
N/A	230104-01108	DX340-380 Geith severe / rock bucket, 1.940m ³ , width 1500mm, 5 teeth
N/A	230104-01109	DX340-380 Geith severe / rock bucket, 2.160m ³ , width 1700mm, 6 teeth
N/A	230104-01133	DX420 Geith severe / rock bucket, 0.980m ³ , width 750mm, 4 teeth
N/A	230104-01134	DX420 Geith severe / rock bucket, 1.220m ³ , width 900mm, 4 teeth
N/A	230104-01135	DX420 Geith severe / rock bucket, 1.470m ³ , width 1050mm, 4 teeth
N/A	230104-01136	DX420 Geith severe / rock bucket, 1.730m ³ , width 1200mm, 5 teeth
N/A	230104-01137	DX420 Geith severe / rock bucket, 1.980m ³ , width 1350mm, 5 teeth
N/A	230104-01138	DX420 Geith severe / rock bucket, 2.240m ³ , width 1500mm, 5 teeth
N/A	230104-01139	DX420 Geith severe / rock bucket, 2.490m ³ , width 1700mm, 6 teeth
N/A	230104-01164	DX490-530 Geith severe / rock bucket, 1.620m ³ , width 1050mm, 4 teeth
N/A	230104-01165	DX490-530 Geith severe / rock bucket, 1.890m ³ , width 1200mm, 5 teeth
N/A	230104-01166	DX490-530 Geith severe / rock bucket, 2.180m ³ , width 1350mm, 5 teeth
N/A	230104-01167	DX490-530 Geith severe / rock bucket, 2.460m ³ , width 1500mm, 5 teeth
N/A	230104-01168	DX490-530 Geith severe / rock bucket, 2.740m ³ , width 1700mm, 6 teeth
N/A	230104-01169	DX490-530 Geith severe / rock bucket, 3.030m ³ , width 1800mm, 7 teeth

COMPATIBILITY

Option number	Part number	DX140 W-7	DX160 W-7	DX165 WR-7	DX170 W-7	DX190 W-7	DX210 W-7
N/A	230104-01004	X	X	X			
N/A	230104-01005	X	X	X			
N/A	230104-01006	X	X	X			
N/A	230104-01007	X	X	X			
N/A	230104-01008	X	X	X			
N/A	230104-01009	X	X	X			
N/A	230104-01022				X		
N/A	230104-01023				X		
N/A	230104-01024				X		
N/A	230104-01025				X		
N/A	230104-01026				X		
N/A	230104-01043					X	X
N/A	230104-01044					X	X
N/A	230104-01045					X	X
N/A	230104-01046					X	X
N/A	230104-01047					X	X
N/A	230104-01048					X	X
N/A	230104-01049					X	X
N/A	230104-01050					X	X

Option number	Part number	DX140 LC-7	DX140 LCR-7	DX160 LC-7-HT	DX210 -7	DX210 LC-7	DX210 NLC-7	DX225 LC-7	DX225 -7X	DX225 LC-7 SLR	DX235 LC-7	DX235 LCR-7	DX245 NHD-7	DX255 LC-7
N/A	230104-01004	X	X	X										
N/A	230104-01005	X	X	X										
N/A	230104-01006	X	X	X										
N/A	230104-01007	X	X	X										
N/A	230104-01008	X	X	X										
N/A	230104-01009	X	X	X										
N/A	230104-01043				X	X	X	X	X		X	X	X	
N/A	230104-01044				X	X	X	X	X		X	X	X	
N/A	230104-01045				X	X	X	X	X		X	X	X	
N/A	230104-01046				X	X	X	X	X		X	X	X	
N/A	230104-01047				X	X	X	X	X		X	X	X	
N/A	230104-01048				X	X	X	X	X		X	X	X	
N/A	230104-01049				X	X	X	X	X		X	X	X	
N/A	230104-01050				X	X	X	X	X		X	X	X	
N/A	230104-01065													X
N/A	230104-01066													X
N/A	230104-01067													X
N/A	230104-01068													X
N/A	230104-01069													X
N/A	230104-01070													X
N/A	230104-01071													X

COMPATIBILITY

Option number	Part number	DX300 LC-7	DX300 LC-7 SLR	DX350 LC-7	DX380 LC-7	DX420 LC-7	DX490 LC-7	DX530 LC-7	DX530 LC-7 SLR	DX800 LC-7	DX1000 LC-7
N/A	230104-01083	X									
N/A	230104-01084	X									
N/A	230104-01085	X									
N/A	230104-01086	X									
N/A	230104-01087	X									
N/A	230104-01088	X									
N/A	230104-01089	X									
N/A	230104-01102			X	X						
N/A	230104-01103			X	X						
N/A	230104-01104			X	X						
N/A	230104-01105			X	X						
N/A	230104-01106			X	X						
N/A	230104-01107			X	X						
N/A	230104-01108			X	X						
N/A	230104-01109			X	X						
N/A	230104-01133					X					
N/A	230104-01134					X					
N/A	230104-01135					X					
N/A	230104-01136					X					
N/A	230104-01137					X					
N/A	230104-01138					X					
N/A	230104-01139					X					
N/A	230104-01164						X	X			
N/A	230104-01165						X	X			
N/A	230104-01166						X	X			
N/A	230104-01167						X	X			
N/A	230104-01168						X	X			
N/A	230104-01169						X	X			

DEVELON

MINI EXCAVATOR ATTACHMENTS



PRODUCT VIEW



FEATURES & BENEFITS

- Offer :
 - 4 different sets
 - Available on 2 to 10 tons Excavators
- Each set contains :
 - 1 pin-on quick coupler
 - 3 digging buckets with teeth
 - 1 grading bucket
- The digging buckets are equipped with thick and chamfered side cutters, and bottom wear straps covering 90% of the bottom of the bucket
- The grading bucket is equipped with one or more web plates to increase the stiffness of the bucket, without adding too much thickness (=weight & cost) on the structure of the bucket.

APPLICATIONS



REQUIREMENTS ON MACHINE

- Your machine must be equipped with **quick coupler piping**.

CHANNEL TO USE FOR ORDERS

Doobiz **SALES**

RANGE

Option number	Part number	Description
N/A	230104-01971	DX27 buckets set (1 hydraulic quick coupler QC35, 3 digging buckets 35L-300mm / 60L-450mm / 90L-600mm, 1 grading bucket 130L-1200mm)
N/A	230104-01970	DX30-35 buckets set (1 hydraulic quick coupler QC35, 3 digging buckets 40L-300mm / 70L-450mm / 100L-600mm, 1 grading bucket 150L-1200mm)
N/A	230104-01306	DX50-60 buckets set (1 hydraulic quick coupler QC45, 3 digging buckets 110L-450mm / 160L-600mm / 250L-900mm, 1 grading bucket 300L-1500mm)
N/A	230104-01307	DX80-100 buckets set (1 hydraulic quick coupler QC45, 3 digging buckets 140L-450mm / 210L-600mm / 340L-900mm, 1 grading bucket 300L-1500mm)

COMPATIBILITY

Option number	Part number	DX10 Z	DX17 Z	DX19	DX20 Z-7	DX27 Z-7	DX35 Z-7	DX50 Z-7	DX55 R-7	DX57 W-7	DX85 R-7	DX100 W-7
N/A	230104-01971					X						
N/A	230104-01970						X					
N/A	230104-01306							X	X	X		
N/A	230104-01307										X	X

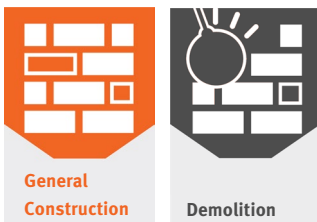
PRODUCT VIEW



FEATURES & BENEFITS

- Offer :
 - 5 different models
 - Available on 1 to 10 tons Excavators
- Performance
 - Develon HB breakers offer powerful performance and top notch productivity, whether you are demolishing concrete or breaking rocks.
- Engineering Approved
 - HB series are optimized for Develon Excavators, fully certified by Develon engineering.
- One-Stop Service
 - Same as Develon Excavators, Develon breakers will be covered by strong service network and product specialists, providing a "One-stop service" Experience.
- Warranty
 - Avoid compatibility and warranty coverage arguments from using non-approved breaker .
 - Develon offers standard warranty up to 2 Years .
- Total cost of ownership
 - Even with 2-year warranty, HB-series are offered at reasonable price, providing customer benefits in total cost of ownership

APPLICATIONS



REQUIREMENTS ON MACHINE

- None : all the Develon mini Excavators are equipped with either :
 - **breaker piping**
 - **PE3C two way auxiliary lines on arm**
- **Fixing cap required** (Holes patterns are available in the operation manual. Not available at Develon, local supply required)

CHANNEL TO USE FOR ORDERS

Doobiz **PARTS**

RANGE

Option number	Part number	Description
N/A	230103-00351	DX10 Develon Hydraulic Breaker HB01
N/A	230103-00136N	DX17-20 Develon Hydraulic Breaker HB03, 700-1200 bpm, 120 dB
N/A	230103-00139N	DX27-35 Develon Hydraulic Breaker HB04, 600-1100 bpm, 120 dB
N/A	230103-00142N	DX57-63 Develon Hydraulic Breaker HB06, 500-900 bpm, 120 dB
N/A	230103-00145N	DX85R Develon Hydraulic Breaker HB08, 400-800 bpm, 120 dB

COMPATIBILITY

Option number	Part number	DX10 Z	DX17 Z	DX19	DX20 Z-7	DX27 Z-7	DX35 Z-7	DX50 Z-7	DX55 R-7	DX57 W-7	DX85 R-7	DX100 W-7
N/A	230103-00351	X										
N/A	230103-00136N		X	X	X							
N/A	230103-00139N					X	X					
N/A	230103-00142N							X	X	X		
N/A	230103-00145N										X	X

DEVELON

WHEEL LOADER ATTACHMENTS



PRODUCT VIEW



FEATURES & BENEFITS

- Grab other attachments easily
 - ISO models equivalent Volvo L60 to L120 attachments (VAB-STD)
 - Large models equivalent Volvo L150 to L220 attachments (VAB-L)
- Indicators on the outside allow you to control easily the correct locking of your attachment
- Offer
 - ISO models available on DL200 up to DL420
 - Large models available on DL420 up to DL580
- For control kits ordered in aftermarket, request switch 301423-00167 on the order, in the section comments.

APPLICATIONS



General
Construction



Heavy
Construction



Agriculture



Recycling



Earth
Moving

REQUIREMENTS ON MACHINE

- Quick coupler control kit required
- When installing attachments from other brands : verify that the overall width of the quick coupler will fit into the attachment. This dimension is not constrained in the ISO 23727

CHANNEL TO USE FOR ORDERS

Doobiz **SALES**

RANGE

Option number	Part number	Description
<u>QUICK COUPLERS, ISO</u>		
N/A	430209-00173	DL200-7/-5 ISO quick coupler, equivalent Volvo L60 to L120 (VAB-STD, ISO 23727)
N/A	430209-00171	DL220-7/-5/DL200-3 ISO quick coupler, equivalent Volvo L60 to L120 (VAB-STD, ISO 23727)
N/A	430209-00253	DL250-7/-5 ISO quick coupler, equivalent Volvo L60 to L120 (VAB-STD, ISO 23727)
N/A	430209-00248	DL280-7/-5/DL250-3 ISO quick coupler, equivalent Volvo L60 to L120 (VAB-STD, ISO 23727)
N/A	430209-00183	DL380-7/DL320-7/DL350-5/-3 ISO quick coupler, equivalent Volvo L60 to L120 (VAB-STD, ISO 23727)
N/A	430209-00250	DL420-7/-5/-3 ISO quick coupler, equivalent Volvo L60 to L120 (VAB-STD, ISO 23727)
<u>QUICK COUPLERS, LARGE</u>		
N/A	430209-00354	DL420-7/-5/-3 LARGE quick coupler, . equivalent Volvo L150 to L220 (VAB-L)
N/A	430209-00252	DL480-7/DL450-5/-3 LARGE quick coupler - NOT COMPATIBLE WITH HL MODEL, equivalent Volvo L150 to L220 (VAB-L)
N/A	430209-00333	DL550-7/-5/-3 / DL580-7/-5 LARGE quick coupler, equivalent Volvo L150 to L220 (VAB-L)
<u>QUICK COUPLER CONTROL KITS</u>		
N/A	430209-00262	DL200-7/-5 control kit for quick coupler (switch + hoses)
N/A	430209-00264	DL220-7/-5 control kit for quick coupler (switch + hoses)
N/A	430209-00265	DL250-7/-5 control kit for quick coupler (switch + hoses)
N/A	430209-00259	DL280-7/-5/DL200-3/DL250-3 control kit for quick coupler (switch + hoses)
N/A	940301-13777	DL380-7/DL320-7/DL300-5/DL350-5 control kit for quick coupler (switch + hoses)
N/A	430209-00261	DL480-7/DL420-7/DL450-7/DL420-5 control kit for quick coupler (switch + hoses)
N/A	430209-00337	DL550/580/-7/-5 control kit for quick coupler (switch + hoses)

COMPATIBILITY

Option number	Part number	DL200-7	DL220-7	DL250-7	DL280-7	DL320-7	DL380-7	DL420-7	DL480-7	DL550-7	DL580-7
<u>QUICK COUPLERS, ISO</u>											
N/A	430209-00173	X									
N/A	430209-00171		X								
N/A	430209-00253			X							
N/A	430209-00248				X						
N/A	430209-00183					X	X				
N/A	430209-00250							X			
<u>QUICK COUPLERS, LARGE</u>											
N/A	430209-00354							X			
N/A	430209-00252								X		
N/A	430209-00333									X	X
<u>QUICK COUPLER CONTROL KITS</u>											
N/A	430209-00262	X									
N/A	430209-00264		X								
N/A	430209-00265			X							
N/A	430209-00259				X						
N/A	940301-13777					X	X				
N/A	430209-00261							X	X		
N/A	430209-00337									X	X

PRODUCT VIEW



FEATURES & BENEFITS

- Value for money
- Robustness : fatigue proofed design
- Resistance to wear : hardened steel on ground attacking parts
- 24 models :
 - Capacities from 1.9 to 5.7m³
 - 2 to 4 models available on each machine
- Ground Engaging Tools (GETs) available :
 - Bolted teeth, 2 strips
 - Bolt-on cutting edge

APPLICATIONS



General
Construction



Heavy
Construction



Earth
Moving

REQUIREMENTS ON MACHINE

- Direct mount

CHANNEL TO USE FOR ORDERS

Doobiz **SALES**

RANGE

Option number	Part number	Description
ECO GENERAL PURPOSE BUCKETS WITH BOLT-ON EDGE		
C_ALBU_20C	230104-01513B	DL200-7/-5 eco. general purpose bucket, 2.0m ³ , for direct mount, 2.55m (NARROW), 3-parts reversible bolt-on edge
C_ALBU_23C	230104-00467E	DL220-7/-5 eco. general purpose bucket, 2.3m ³ , for direct mount, 2.55m (NARROW), 3-parts reversible bolt-on edge
C_ALBU_25D	230104-01498B	DL250-7/-5 eco. general purpose bucket, 2.5m ³ , for direct mount, 2.55m (NARROW), 3-parts reversible bolt-on edge
C_ALBU_25C	230104-01495B	DL250-7/-5 eco. general purpose bucket, 2.5m ³ , for direct mount, 2.74m, 3-parts reversible bolt-on edge
C_ALBU_28C	230104-00508H	DL280-7/-5 eco. general purpose bucket, 2.8m ³ , for direct mount, 2.74m, 3-parts reversible bolt-on edge
C_ALBU_35C	230104-03956	DL320-7 eco. general purpose bucket, 3.5m ³ , for direct mount, 3.00m (NARROW), 3-parts reversible bolt-on edge
C_ALBU_39C	230104-03450B	DL380-7 eco. general purpose bucket, 3.9m ³ , for direct mount, 3.1m, 3-parts reversible bolt-on edge
C_ALBU_45C	230104-03413B	DL420-7 eco. general purpose bucket, 4.5m ³ , for direct mount, 3.20m, 3-parts reversible bolt-on edge
C_ALBU_50C	230104-04197	DL480-7 eco. general purpose bucket, 5.0m ³ , for direct mount, 3.30m, 3-parts reversible bolt-on edge
C_ALBU_57C	230104-03637B	DL550-7 eco. general purpose bucket, 5.7m ³ , for direct mount, 3.40m, 3-parts reversible bolt-on edge
C_ALBU_62C	230104-04033A	DL580-7 eco. general purpose bucket, 6.2m ³ , for direct mount, 3.40m, 3-parts reversible bolt-on edge
ECO GENERAL PURPOSE BUCKETS WITH TEETH		
C_ALBU_19M	230104-01566B	DL200-7/-5 eco. general purpose bucket, 1.9m ³ , for direct mount, 2.55m (NARROW), teeth (bolted teeth)
C_ALBU_22M	230104-00495E	DL220-7/-5 eco. general purpose bucket, 2.2m ³ , for direct mount, 2.55m (NARROW), teeth (bolted teeth)
C_ALBU_24H	230104-01499B	DL250-7/-5 eco. general purpose bucket, 2.4m ³ , for direct mount, 2.55m (NARROW), teeth (bolted teeth)
C_ALBU_24M	230104-01493B	DL250-7/-5 eco. general purpose bucket, 2.4m ³ , for direct mount, 2.74m, teeth (bolted teeth)
C_ALBU_27M	230104-00507H	DL280-7/-5 eco. general purpose bucket, 2.7m ³ , for direct mount, 2.74m, teeth (bolted teeth)
C_ALBU_33A	230104-03954A	DL320-7 eco. general purpose bucket, 3.3m ³ , for direct mount, 3.00m (NARROW), teeth (adapter + tip)
C_ALBU_35A	230104-00566C	DL320-7 eco. general purpose bucket, 3.5m ³ , for direct mount, 3.00m (NARROW), teeth (bolted adapters)
C_ALBU_37A	230104-03446B	DL380-7 eco. general purpose bucket, 3.7m ³ , for direct mount, 3.00m (NARROW), teeth (adapter + tip)
C_ALBU_43A	230104-03410B	DL420-7 eco. general purpose bucket, 4.3m ³ , for direct mount, 3.20m, teeth (adapter + tip)
C_ALBU_48A	230104-03687A	DL480-7 eco. general purpose bucket, 4.8m ³ , for direct mount, 3.30m, teeth (adapter + tip)
C_ALBU_54A	230104-03635B	DL550-7 eco. general purpose bucket, 5.4m ³ , for direct mount, 3.40m, teeth (adapter + tip)
C_ALBU_60A	230104-03707B	DL580-7 eco. general purpose bucket, 6.0m ³ , for direct mount, 3.40m, teeth (adapter + tip)

COMPATIBILITY

Option number	Part number	DL200-7	DL220-7	DL250-7	DL280-7	DL320-7	DL380-7	DL420-7	DL480-7	DL550-7	DL580-7
ECO GENERAL PURPOSE BUCKETS WITH BOLT-ON EDGE											
C_ALBU_20C	230104-01513B	X									
C_ALBU_23C	230104-00467E		X								
C_ALBU_25D	230104-01498B			X							
C_ALBU_25C	230104-01495B			X							
C_ALBU_28C	230104-00508H				X						
C_ALBU_35C	230104-03956					X					
C_ALBU_39C	230104-03450B						X				
C_ALBU_45C	230104-03413B							X			
C_ALBU_50C	230104-04197								X		
C_ALBU_57C	230104-03637B									X	
C_ALBU_62C	230104-04033A										X
ECO GENERAL PURPOSE BUCKETS WITH TEETH											
C_ALBU_19M	230104-01566B	X									
C_ALBU_22M	230104-00495E		X								
C_ALBU_24H	230104-01499B			X							
C_ALBU_24M	230104-01493B			X							
C_ALBU_27M	230104-00507H				X						
C_ALBU_33A	230104-03954A					X					
C_ALBU_35A	230104-00566C					X					
C_ALBU_37A	230104-03446B						X				
C_ALBU_43A	230104-03410B							X			
C_ALBU_48A	230104-03687A								X		
C_ALBU_54A	230104-03635B									X	
C_ALBU_60A	230104-03707B										X

PRODUCT VIEW



FEATURES & BENEFITS

- Target
 - Premium, on-demand, fit for your application
 - Aggressive materials, aggregates
- Robustness
 - Mechanical resistance : fatigue proofed design
 - Resistance to wear : 85% Hardox450 certified
- Range
 - 36080 configurations possible
 - Configurability : coupling system, floor shape, spillguard type, bucket protection, blade shape : all that can be configured
 - [Link to the configurator here](#)
- Comfort
 - Stoppers with shock absorbers on all models
- Optimized fuel consumption
 - Chamfered side cutters
 - Chamfered heels

APPLICATIONS



REQUIREMENTS ON MACHINE

- Direct mount
- Machine with ISO quick coupler + quick coupler control kit
- Machine with Large quick coupler + quick coupler control kit

CHANNEL TO USE FOR ORDERS

Doobiz **SALES**

STANDARD RANGE

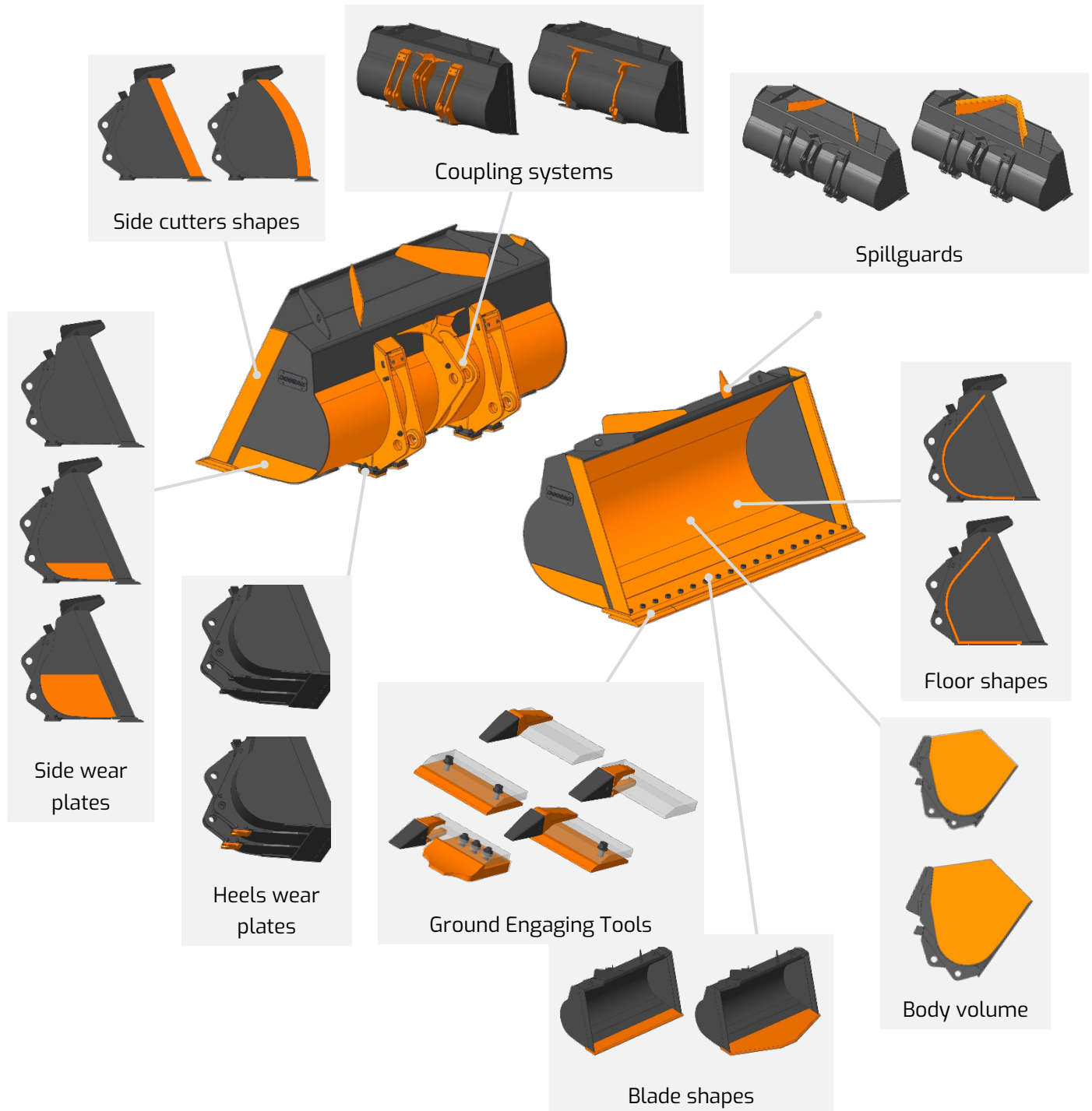
(standard range = convex side cutters, V-shaped spillguard, standard side wear plate, round floor, heels wear plates)

Option number	Part number	Description
<u>PERFORMANCE GENERAL PURPOSE BUCKETS WITH BOLT-ON EDGE (DIRECT MOUNT)</u>		
N/A	207GP2026DHXS2SZO	DL200-7, performance general purpose bucket, 2.1m ³ , for direct mount, 2.55m, bolt-on edge
N/A	207GP2028DHXS2SZO	DL200-7, performance general purpose bucket, 2.1m ³ , for direct mount, 2.75m, bolt-on edge
N/A	227GP2226DHXS2SZO	DL220-7, performance general purpose bucket, 2.3m ³ , for direct mount, 2.55m, bolt-on edge
N/A	227GP2228DHXS2SZO	DL220-7, performance general purpose bucket, 2.3m ³ , for direct mount, 2.75m, bolt-on edge
N/A	257GP2426DHXS2SZO	DL250-7, performance general purpose bucket, 2.5m ³ , for direct mount, 2.55m, bolt-on edge
N/A	257GP2428DHXS2SZO	DL250-7, performance general purpose bucket, 2.5m ³ , for direct mount, 2.75m, bolt-on edge
N/A	287GP2626DHXS2SZO	DL280-7, performance general purpose bucket, 2.7m ³ , for direct mount, 2.55m, bolt-on edge
N/A	287GP2628DHXS2SZO	DL280-7, performance general purpose bucket, 2.7m ³ , for direct mount, 2.75m, bolt-on edge
N/A	327GP3429DHXS2SZO	DL320-7, performance general purpose bucket, 3.5m ³ , for direct mount, 2.90m, bolt-on edge
N/A	387GP3729DHXS2SZO	DL380-7, performance general purpose bucket, 3.8m ³ , for direct mount, 2.90m, bolt-on edge
N/A	427GP4030DHXS2SZO	DL420-7, performance general purpose bucket, 4.1m ³ , for direct mount, 2.995m, bolt-on edge
N/A	427GP4032DHXS2SZO	DL420-7, performance general purpose bucket, 4.1m ³ , for direct mount, 3.2m, bolt-on edge
N/A	487GP4533DHXS2SZO	DL480-7, performance general purpose bucket, 4.6m ³ , for direct mount, 3.30m, bolt-on edge
N/A	557GP5534DHXS2SZO	DL550-7, performance general purpose bucket, 5.7m ³ , for direct mount, 3.40m, bolt-on edge
N/A	587GP6034DHXS2SZO	DL580-7, performance general purpose bucket, 6.2m ³ , for direct mount, 3.40m, bolt-on edge

<u>PERFORMANCE GENERAL PURPOSE BUCKETS WITH TEETH (DIRECT MOUNT)</u>		
N/A	207GP2026DHXS2SOI	DL200-7, performance general purpose bucket, 2.0m ³ , for direct mount, 2.55m, one strip teeth ITR
N/A	207GP2028DHXS2SOI	DL200-7, performance general purpose bucket, 2.0m ³ , for direct mount, 2.75m, one strip teeth ITR
N/A	227GP2226DHXS2SOI	DL220-7, performance general purpose bucket, 2.2m ³ , for direct mount, 2.55m, one strip teeth ITR
N/A	227GP2228DHXS2SOI	DL220-7, performance general purpose bucket, 2.2m ³ , for direct mount, 2.75m, one strip teeth ITR
N/A	257GP2426DHXS2SOI	DL250-7, performance general purpose bucket, 2.4m ³ , for direct mount, 2.55m, one strip teeth ITR
N/A	257GP2428DHXS2SOI	DL250-7, performance general purpose bucket, 2.4m ³ , for direct mount, 2.75m, one strip teeth ITR
N/A	287GP2626DHXS2SOI	DL280-7, performance general purpose bucket, 2.6m ³ , for direct mount, 2.55m, one strip teeth ITR
N/A	287GP2628DHXS2SOI	DL280-7, performance general purpose bucket, 2.6m ³ , for direct mount, 2.75m, one strip teeth ITR
N/A	327GP3429DHXS2SOI	DL320-7, performance general purpose bucket, 3.4m ³ , for direct mount, 2.90m, one strip teeth ITR
N/A	387GP3729DHXS2SOI	DL380-7, performance general purpose bucket, 3.7m ³ , for direct mount, 2.90m, one strip teeth ITR
N/A	427GP4030DHXS2SOI	DL420-7, performance general purpose bucket, 4.0m ³ , for direct mount, 2.995m, one strip teeth ITR
N/A	427GP4032DHXS2SOI	DL420-7, performance general purpose bucket, 4.0m ³ , for direct mount, 3.2m, one strip teeth ITR
N/A	487GP4533DHXS2SOI	DL480-7, performance general purpose bucket, 4.5m ³ , for direct mount, 3.30m, one strip teeth ITR
N/A	557GP5534DHXS2SOI	DL550-7, performance general purpose bucket, 5.5m ³ , for direct mount, 3.40m, one strip teeth ITR
N/A	587GP6034DHXS2SOI	DL580-7, performance general purpose bucket, 6.0m ³ , for direct mount, 3.40m, one strip teeth ITR

<u>PERFORMANCE GENERAL PURPOSE BUCKETS WITH BOLT-ON EDGE (QUICK COUPLING)</u>		
N/A	207GP2026SHXS2SZO	DL200-7, performance general purpose bucket, 2.1m ³ , for ISO quick coupler, 2.55m, bolt-on edge
N/A	207GP2028SHXS2SZO	DL200-7, performance general purpose bucket, 2.1m ³ , for ISO quick coupler, 2.75m, bolt-on edge
N/A	227GP2226SHXS2SZO	DL220-7, performance general purpose bucket, 2.3m ³ , for ISO quick coupler, 2.55m, bolt-on edge
N/A	227GP2228SHXS2SZO	DL220-7, performance general purpose bucket, 2.3m ³ , for ISO quick coupler, 2.75m, bolt-on edge
N/A	257GP2426SHXS2SZO	DL250-7, performance general purpose bucket, 2.5m ³ , for ISO quick coupler, 2.55m, bolt-on edge
N/A	257GP2428SHXS2SZO	DL250-7, performance general purpose bucket, 2.5m ³ , for ISO quick coupler, 2.75m, bolt-on edge
N/A	287GP2626SHXS2SZO	DL280-7, performance general purpose bucket, 2.7m ³ , for ISO quick coupler, 2.55m, bolt-on edge
N/A	287GP2628SHXS2SZO	DL280-7, performance general purpose bucket, 2.7m ³ , for ISO quick coupler, 2.75m, bolt-on edge
N/A	327GP3429SHXS2SZO	DL320-7, performance general purpose bucket, 3.5m ³ , for ISO quick coupler, 2.90m, bolt-on edge
N/A	387GP3729SHXS2SZO	DL380-7, performance general purpose bucket, 3.8m ³ , for ISO quick coupler, 2.90m, bolt-on edge
N/A	427GP4030SHXS2SZO	DL420-7, performance general purpose bucket, 4.1m ³ , for ISO quick coupler, 2.995m, bolt-on edge
N/A	427GP4032SHXS2SZO	DL420-7, performance general purpose bucket, 4.1m ³ , for ISO quick coupler, 3.2m, bolt-on edge
N/A	487GP4533LHXS2SZO	DL480-7, performance general purpose bucket, 4.6m ³ , for LARGE quick coupler, 3.30m, bolt-on edge
N/A	557GP5534LHXS2SZO	DL550-7, performance general purpose bucket, 5.7m ³ , for LARGE quick coupler, 3.40m, bolt-on edge
N/A	587GP6034LHXS2SZO	DL580-7, performance general purpose bucket, 6.2m ³ , for LARGE quick coupler, 3.40m, bolt-on edge

CONFIGURABILITY



COMPATIBILITY

Option number	Part number	DL200-7	DL220-7	DL250-7	DL280-7	DL320-7	DL380-7	DL420-7	DL480-7	DL550-7	DL580-7
PERFORMANCE GENERAL PURPOSE BUCKETS WITH BOLT-ON EDGE (DIRECT MOUNT)											
N/A	207GP2026DHXS2SZO	X									
N/A	207GP2028DHXS2SZO	X									
N/A	227GP2226DHXS2SZO		X								
N/A	227GP2228DHXS2SZO		X								
N/A	257GP2426DHXS2SZO			X							
N/A	257GP2428DHXS2SZO			X							
N/A	287GP2626DHXS2SZO				X						
N/A	287GP2628DHXS2SZO				X						
N/A	327GP3429DHXS2SZO					X					
N/A	387GP3729DHXS2SZO						X				
N/A	427GP4030DHXS2SZO							X			
N/A	427GP4032DHXS2SZO							X			
N/A	487GP4533DHXS2SZO								X		
N/A	557GP5534DHXS2SZO									X	
N/A	587GP6034DHXS2SZO										X
PERFORMANCE GENERAL PURPOSE BUCKETS WITH TEETH (DIRECT MOUNT)											
N/A	207GP2026DHXS2SOI	X									
N/A	207GP2028DHXS2SOI	X									
N/A	227GP2226DHXS2SOI		X								
N/A	227GP2228DHXS2SOI		X								
N/A	257GP2426DHXS2SOI			X							
N/A	257GP2428DHXS2SOI			X							
N/A	287GP2626DHXS2SOI				X						
N/A	287GP2628DHXS2SOI				X						
N/A	327GP3429DHXS2SOI					X					
N/A	387GP3729DHXS2SOI						X				
N/A	427GP4030DHXS2SOI							X			
N/A	427GP4032DHXS2SOI							X			
N/A	487GP4533DHXS2SOI								X		
N/A	557GP5534DHXS2SOI									X	
N/A	587GP6034DHXS2SOI										X
PERFORMANCE GENERAL PURPOSE BUCKETS WITH BOLT-ON EDGE (QUICK COUPLING)											
N/A	207GP2026SHXS2SZO	X									
N/A	207GP2028SHXS2SZO	X									
N/A	227GP2226SHXS2SZO		X								
N/A	227GP2228SHXS2SZO		X								
N/A	257GP2426SHXS2SZO			X							
N/A	257GP2428SHXS2SZO			X							
N/A	287GP2626SHXS2SZO				X						
N/A	287GP2628SHXS2SZO				X						
N/A	327GP3429SHXS2SZO					X					
N/A	387GP3729SHXS2SZO						X				
N/A	427GP4030SHXS2SZO							X			
N/A	427GP4032SHXS2SZO							X			
N/A	487GP4533LHXS2SZO								X		
N/A	557GP5534LHXS2SZO									X	
N/A	587GP6034LHXS2SZO										X

PRODUCT VIEW



FEATURES & BENEFITS

- Increase the versatility of your Develon wheel loader and turn it into a lift fork.
- 5 to 9 tons capacities available
- Adapted to Europallets handling : 1500mm long forks
- Rigid frame 1500mm wide, with notched rails, to slide and position of your forks laterally.
- Safety :
 - Backrest to handle your load easily
 - Designed to maximize driver's visibility
 - Compliant with ISO 2328 & 2330

APPLICATIONS



REQUIREMENTS ON MACHINE

- ISO or Large quick coupler
- Quick coupler control kit
- Safety valves may be required in your country (Not available at Develon. Local supply required)

CHANNEL TO USE FOR ORDERS

Doobiz **SALES**

RANGE

Option number	Part number	Description
<u>MODELS FOR ISO QUICK COUPLER</u>		
N/A	230106-00154	pallet forks attachment, not FEM, frame width 1500mm, forks length 1500mm, for ISO quick coupler
N/A	230106-00907	pallet forks attachment, 6.9t, FEM class 4, frame width 1500mm, forks length 1600, for ISO quick coupler
N/A	230106-00155	pallet forks attachment, not FEM, frame width 1500mm, forks length 1600 mm, for ISO quick coupler
N/A	230106-00183	pallet forks attachment, not FEM, frame width 1500mm, forks length 1500mm, for ISO quick coupler
<u>MODEL FOR LARGE QUICK COUPLER</u>		
N/A	230106-00805	pallet forks attachment, 9t, not FEM, frame width 1500mm, forks length 1500mm, for LARGE quick coupler

COMPATIBILITY

Option number	Part number	DL200-7	DL220-7	DL250-7	DL280-7	DL320-7	DL380-7	DL420-7	DL480-7	DL550-7	DL580-7
<u>MODELS FOR ISO QUICK COUPLER</u>											
N/A	230106-00154	X	X	X	X						
N/A	230106-00907				X	X	X	X			
N/A	230106-00155				X	X	X	X			
N/A	230106-00183						X	X			
<u>MODEL FOR LARGE QUICK COUPLER</u>											
N/A	230106-00805							X	X	X	X

DEVELON

COMPACT WHEEL LOADER ATTACHMENTS



PRODUCT VIEW



FEATURES & BENEFITS

- Blade & sidewalls made out of Hardox
- Round back plate
- Thickened side plates
- Protection under the floor to increase the bucket durability
- Versions with bolt-on teeth available on all models
- Adjustable road homologation protection available
- Volvo L30 coupling type as standard, other brackets / coupling systems on demand.

Bolt-on teeth (optional)



Road homologation protection (optional)



APPLICATIONS



General
Construction



Earth
Moving



Recycling

REQUIREMENTS ON MACHINE

- Compatible coupling system on machine.

CHANNEL TO USE FOR ORDERS

Doobiz **SALES**

RANGE

Option number	Part number	Description
<u>GENERAL PURPOSE BUCKETS, NO GROUND ENGAGING TOOLS</u>		
N/A	6103300	DL60/65 general purpose bucket, for L30 quick coupler, 0.44m ³ , width 1.50m, no ground engaging tools
N/A	6103320	DL60/65 general purpose bucket, for L30 quick coupler, 0.58m ³ , width 1.60m, no ground engaging tools
N/A	6103350	DL60/65 general purpose bucket, for L30 quick coupler, 0.64m ³ , width 1.75m, no ground engaging tools
N/A	6103345	DL80/85 general purpose bucket, for L30 quick coupler, 0.73m ³ , width 1.70m, no ground engaging tools, with spillguard
N/A	6103375	DL80/85 general purpose bucket, for L30 quick coupler, 0.77m ³ , width 1.80m, no ground engaging tools, with spillguard
N/A	6103355	DL80/85 general purpose bucket, for L30 quick coupler, 1.01m ³ , width 1.75m, no ground engaging tools, with spillguard
N/A	6103405	DL80/85 general purpose bucket, for L30 quick coupler, 0.81m ³ , width 1.90m, no ground engaging tools, with spillguard
N/A	6103425	DL80/85 general purpose bucket, for L30 quick coupler, 0.85m ³ , width 2.00m, no ground engaging tools, with spillguard
N/A	6103470	DL80/85 general purpose bucket, for L30 quick coupler, 1.20m ³ , width 2.00m, no ground engaging tools, with spillguard
N/A	6103460	DL80/85 general purpose bucket, for L30 quick coupler, 0.90m ³ , width 2.10m, no ground engaging tools, with spillguard
<u>GENERAL PURPOSE BUCKETS, WITH TEETH</u>		
N/A	6103301-251	DL60/65 general purpose bucket, for L30 quick coupler, 0.44m ³ , width 1.50m, with 6 bolt-on teeth
N/A	6103321-251	DL60/65 general purpose bucket, for L30 quick coupler, 0.58m ³ , width 1.60m, with 6 bolt-on teeth
N/A	6103351-251	DL60/65 general purpose bucket, for L30 quick coupler, 0.64m ³ , width 1.75m, with 7 bolt-on teeth
N/A	6103346-251	DL80/85 general purpose bucket, for L30 quick coupler, 0.73m ³ , width 1.70m, with 6 bolt-on teeth, with spillguard
N/A	6103376-251	DL80/85 general purpose bucket, for L30 quick coupler, 0.77m ³ , width 1.80m, with 7 bolt-on teeth, with spillguard
N/A	6103356-251	DL80/85 general purpose bucket, for L30 quick coupler, 1.01m ³ , width 1.75m, with 7 bolt-on teeth, with spillguard
N/A	6103406-251	DL80/85 general purpose bucket, for L30 quick coupler, 0.81m ³ , width 1.90m, with 7 bolt-on teeth, with spillguard
N/A	6103426-251	DL80/85 general purpose bucket, for L30 quick coupler, 0.85m ³ , width 2.00m, with 7 bolt-on teeth, with spillguard
N/A	6103471-251	DL80/85 general purpose bucket, for L30 quick coupler, 1.20m ³ , width 2.00m, with 7 bolt-on teeth, with spillguard
N/A	6103461-251	DL80/85 general purpose bucket, for L30 quick coupler, 0.90m ³ , width 2.10m, with 8 bolt-on teeth, with spillguard
<u>ROAD HOMOLOGATION PROTECTION</u>		
N/A	VK6103000	DL60/65/80/85 road homology protection, adjustable width 1100 to 1750 mm

COMPATIBILITY

Option number	Part number	DL60-7	DL65-7	DL80-7	DL80TL-7	DL85-7
<u>GENERAL PURPOSE BUCKETS, NO GROUND ENGAGING TOOLS</u>						
N/A	6103300	X	X			
N/A	6103320	X	X			
N/A	6103350	X	X			
N/A	6103345			X	X	X
N/A	6103375			X	X	X
N/A	6103355			X	X	X
N/A	6103405			X	X	X
N/A	6103425			X	X	X
N/A	6103470			X		X
N/A	6103460			X	X	X
<u>GENERAL PURPOSE BUCKETS, WITH TEETH</u>						
N/A	6103301-251	X	X			
N/A	6103321-251	X	X			
N/A	6103351-251	X	X			
N/A	6103346-251			X	X	X
N/A	6103376-251			X	X	X
N/A	6103356-251			X	X	X
N/A	6103406-251			X	X	X
N/A	6103426-251			X	X	X
N/A	6103471-251			X		X
N/A	6103461-251			X	X	X
<u>ROAD HOMOLOGATION PROTECTION</u>						
N/A	VK6103000	X	X	X	X	X

PRODUCT VIEW



FEATURES & BENEFITS

- Increase the versatility of your bucket : 4-in-1 buckets are ideal for dozing, grappling, levelling, digging, loading and dumping.
- All 3 blades & sidewalls made out of Hardox
- Versions with bolt-on teeth available on all models
- Volvo L30 coupling type as standard, other brackets / coupling systems on demand.

Bolt-on teeth (optional)

Road homologation protection (optional)



APPLICATIONS



General
Construction



Earth
Moving



Recycling

REQUIREMENTS ON MACHINE

- Compatible coupling system on machine.
- No other option required : all machines are equipped with 1 auxiliary hydraulic line. (We recommend also selecting the option **hydraulic function in joystick** for a more user-friendly operation)

CHANNEL TO USE FOR ORDERS

Doobiz **SALES**

RANGE

Option number	Part number	Description
<u>4-IN-1 BUCKETS, NO GROUND ENGAGING TOOLS</u>		
N/A	6108300	DL60/65 4-in-1 bucket, for L30 quick coupler, 0.37m ³ , width 1.50m, no ground engaging tools
N/A	6108400	DL60/65 4-in-1 bucket, for L30 quick coupler, 0.40m ³ , width 1.60m, no ground engaging tools
N/A	6108500	DL60/65 4-in-1 bucket, for L30 quick coupler, 0.44m ³ , width 1.75m, no ground engaging tools
N/A	6108450	DL80/85 4-in-1 bucket, for L30 quick coupler, 0.68m ³ , width 1.70m, no ground engaging tools
N/A	6108530	DL80/85 4-in-1 bucket, for L30 quick coupler, 0.72m ³ , width 1.80m, no ground engaging tools
N/A	6108610	DL80/85 4-in-1 bucket, for L30 quick coupler, 0.76m ³ , width 1.90m, no ground engaging tools
N/A	6108640	DL80/85 4-in-1 bucket, for L30 quick coupler, 0.81m ³ , width 2.00m, no ground engaging tools
<u>4-IN-1 BUCKETS, WITH TEETH</u>		
N/A	6108301-251	DL60/65 4-in-1 bucket, for L30 quick coupler, 0.37m ³ , width 1.50m, with 6 bolt-on teeth
N/A	6108401-251	DL60/65 4-in-1 bucket, for L30 quick coupler, 0.40m ³ , width 1.60m, with 6 bolt-on teeth
N/A	6108501-251	DL60/65 4-in-1 bucket, for L30 quick coupler, 0.44m ³ , width 1.75m, with 7 bolt-on teeth
N/A	6108451-251	DL80/85 4-in-1 bucket, for L30 quick coupler, 0.68m ³ , width 1.70m, with 6 bolt-on teeth
N/A	6108531-251	DL80/85 4-in-1 bucket, for L30 quick coupler, 0.72m ³ , width 1.80m, with 7 bolt-on teeth
N/A	6108611-251	DL80/85 4-in-1 bucket, for L30 quick coupler, 0.76m ³ , width 1.90m, with 7 bolt-on teeth
N/A	6108641-251	DL80/85 4-in-1 bucket, for L30 quick coupler, 0.81m ³ , width 2.00m, with 7 bolt-on teeth
<u>ROAD HOMOLOGATION PROTECTION</u>		
N/A	VK6103000	DL60/65/80/85 road homologation protection, adjustable width 1100 to 1750 mm

COMPATIBILITY

Option number	Part number	DL60-7	DL65-7	DL80-7	DL80TL-7	DL85-7
<u>4-IN-1 BUCKETS, NO GROUND ENGAGING TOOLS</u>						
N/A	6108300	X	X			
N/A	6108400	X	X			
N/A	6108500	X	X			
N/A	6108450			X	X	X
N/A	6108530			X	X	X
N/A	6108610			X	X	X
N/A	6108640			X	X	X
<u>4-IN-1 BUCKETS, WITH TEETH</u>						
N/A	6108301-251	X	X			
N/A	6108401-251	X	X			
N/A	6108501-251	X	X			
N/A	6108451-251			X	X	X
N/A	6108531-251			X	X	X
N/A	6108611-251			X	X	X
N/A	6108641-251			X	X	X
<u>ROAD HOMOLOGATION PROTECTION</u>						
N/A	VK6103000	X	X	X	X	X

PRODUCT VIEW



Backrest (optional)



Tine (optional)



FEATURES & BENEFITS

- Rigid pallet forks and frame compliant with ISO 2328 & 2330
- Ideal for pallet and material handling
- Change fork spacing for increased flexibility
- Two accessories are available to make your load handling easier :
 - Optional backrest
 - Optional hydraulic tine
- Volvo L30 coupling type as standard, other brackets / coupling systems on demand.

APPLICATIONS



General
Construction



Agriculture



Recycling

REQUIREMENTS ON MACHINE

- Compatible coupling system on machine.
- No other option required for the grapple : all machines are equipped with 1 auxiliary hydraulic line. (We recommend also selecting the option **hydraulic function in joystick** for a more user-friendly operation)
- Safety valves may be required in your country (Not available at Develon. Local supply required)

CHANNEL TO USE FOR ORDERS

Doobiz **SALES**

RANGE

Option number	Part number	Description
<u>PALLET FORKS MODELS</u>		
N/A	6110135	DL60/65 pallet forks attachment, for L30 quick coupler, class 2A, length 1000mm
N/A	6110235	DL60/65 pallet forks attachment, for L30 quick coupler, class 2A, length 1200mm
N/A	6110140	DL80/85 pallet forks attachment, for L30 quick coupler, class 3A, length 1000mm
N/A	6110215	DL80/85 pallet forks attachment, for L30 quick coupler, class 3A, length 1200mm
<u>ACCESSORIES</u>		
N/A	6706130	Load backrest
N/A	6706200	Hydraulic tine on auxiliary for forks attachment

COMPATIBILITY

Option number	Part number	DL60-7	DL65-7	DL80-7	DL80TL-7	DL85-7
<u>PALLET FORKS MODELS</u>						
N/A	6110135	X	X			
N/A	6110235	X	X			
N/A	6110140			X	X	X
N/A	6110215			X	X	X
<u>ACCESSORIES</u>						
N/A	6706130	X	X	X	X	X
N/A	6706200	X	X	X	X	X

PRODUCT VIEW



FEATURES & BENEFITS

- The bucket is designed for handling low density materials like coal, coke, wood chips.
- Increases considerably (+110 cm) the capacity of your loader to clear truck side walls, hoppers, or bins.
- 2 cylinders for more force, placed on the extremities of the bucket for more rigidity
- Blade made out of Hardox
- Volvo L30 coupling type as standard, other brackets / coupling systems on demand.

APPLICATIONS



Agriculture



Recycling



Snow

REQUIREMENTS ON MACHINE

- Compatible coupling system on machine.
- No other option required for the cylinders : all machines are equipped with 1 auxiliary hydraulic line. (We recommend also selecting the option **hydraulic function in joystick** for a more user-friendly operation)

CHANNEL TO USE FOR ORDERS

Doobiz **SALES**

RANGE

Option number	Part number	Description
N/A	6107510	DL60/65 high dump bucket, for L30 quick coupler, 0.80m ³ , width 1.50m
N/A	6107560	DL60/65 high dump bucket, for L30 quick coupler, 0.86m ³ , width 1.60m
N/A	6107605	DL60/65 high dump bucket, for L30 quick coupler, 0.94m ³ , width 1.75m
N/A	6107618	DL80/85 high dump bucket, for L30 quick coupler, 1.10m ³ , width 1.70m
N/A	6107619	DL80/85 high dump bucket, for L30 quick coupler, 1.16m ³ , width 1.80m
N/A	6107621	DL80/85 high dump bucket, for L30 quick coupler, 1.23m ³ , width 1.90m
N/A	6107623	DL80/85 high dump bucket, for L30 quick coupler, 1.30m ³ , width 2.00m
N/A	6104645	DL80/85 high dump bucket, for L30 quick coupler, 1.37m ³ , width 2.10m
N/A	61076660	DL80/85 high dump bucket, for L30 quick coupler, 1.44m ³ , width 2.20m

COMPATIBILITY

Option number	Part number	DL60-7	DL65-7	DL80-7	DL80TL-7	DL85-7
N/A	6107510	X	X			
N/A	6107560	X	X			
N/A	6107605	X	X			
N/A	6107618	X	X			
N/A	6107619			X	X	X
N/A	6107621			X	X	X
N/A	6107623			X	X	X
N/A	6104645			X	X	X
N/A	61076660			X	X	X

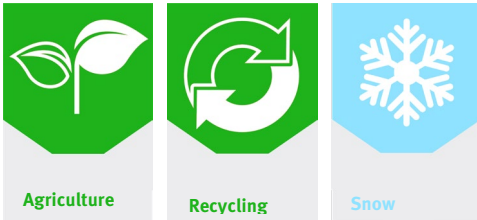
PRODUCT VIEW



FEATURES & BENEFITS

- Maximize the efficiency of your machine when handling light materials such as coal, sugar beets, compost, grain or woodchips.
- Blade made out of Hardox
- Protections on corners to increase the longevity of your attachment.
- Volvo L30 coupling type as standard, other brackets / coupling systems on demand.

APPLICATIONS



REQUIREMENTS ON MACHINE

- Compatible coupling system on machine.

CHANNEL TO USE FOR ORDERS

Doobiz **SALES**

RANGE

Option number	Part number	Description
N/A	6104405	DL60/65 light material bucket, for L30 quick coupler, 0.86m ³ , width 1.50m
N/A	6104505	DL60/65 light material bucket, for L30 quick coupler, 0.92m ³ , width 1.60m
N/A	6104605	DL60/65 light material bucket, for L30 quick coupler, 1.00m ³ , width 1.75m
N/A	6104702	DL60/65 light material bucket, for L30 quick coupler, 1.15m ³ , width 2.00m
N/A	6104707	DL80/85 light material bucket, for L30 quick coupler, 1.55m ³ , width 2.00m
N/A	6104595	DL80/85 light material bucket, for L30 quick coupler, 1.54m ³ , width 1.70m
N/A	6104635	DL80/85 light material bucket, for L30 quick coupler, 1.59m ³ , width 1.75m
N/A	6104660	DL80/85 light material bucket, for L30 quick coupler, 1.63m ³ , width 1.80m
N/A	6104675	DL80/85 light material bucket, for L30 quick coupler, 1.73m ³ , width 1.90m
N/A	6104710	DL80/85 light material bucket, for L30 quick coupler, 1.81m ³ , width 2.00m
N/A	6104715	DL80/85 light material bucket, for L30 quick coupler, 1.92m ³ , width 2.10m
N/A	6104720	DL80/85 light material bucket, for L30 quick coupler, 2.02m ³ , width 2.20m

COMPATIBILITY

Option number	Part number	DL60-7	DL65-7	DL80-7	DL80TL-7	DL85-7
N/A	6104405	X	X			
N/A	6104505	X	X			
N/A	6104605	X	X			
N/A	6104702	X	X			
N/A	6104707			X	X	X
N/A	6104595			X	X	X
N/A	6104635			X	X	X
N/A	6104660			X	X	X
N/A	6104675			X	X	X
N/A	6104710			X	X	X
N/A	6104715			X	X	X
N/A	6104720			X	X	X

PRODUCT VIEW



FEATURES & BENEFITS

- Dig into and handle soft materials easily
- The grapple is equipped with 2 cylinders to increase clamping force
- Easy maintenance : all tines are bolted
- Volvo L30 coupling type as standard, other brackets / coupling systems on demand.

APPLICATIONS



REQUIREMENTS ON MACHINE

- Compatible coupling system on machine.
- No other option required for the grapple : all machines are equipped with 1 auxiliary hydraulic line. (We recommend also selecting the option **hydraulic function in joystick** for a more user-friendly operation)

CHANNEL TO USE FOR ORDERS

Doobiz **SALES**

RANGE

Option number	Part number	Description
N/A	6111320	DL60/65 manure fork with grapple, for L30 quick coupler, 1.50m
N/A	6111350	DL60/65 manure fork with grapple, for L30 quick coupler, 1.60m
N/A	6111420	DL60/65 manure fork with grapple, for L30 quick coupler, 1.75m
N/A	6111355	DL80/85 manure fork with grapple, for L30 quick coupler, 1.60m
N/A	6111380	DL80/85 manure fork with grapple, for L30 quick coupler, 1.70m
N/A	6111440	DL80/85 manure fork with grapple, for L30 quick coupler, 1.80m
N/A	6111535	DL80/85 manure fork with grapple, for L30 quick coupler, 1.90m
N/A	6111555	DL80/85 manure fork with grapple, for L30 quick coupler, 2.00m
N/A	6111570	DL80/85 manure fork with grapple, for L30 quick coupler, 2.10m

COMPATIBILITY

Option number	Part number	DL60-7	DL65-7	DL80-7	DL80TL-7	DL85-7
N/A	6111320	X	X			
N/A	6111350	X	X			
N/A	6111420	X	X			
N/A	6111355	X	X			
N/A	6111380	X	X			
N/A	6111440			X	X	X
N/A	6111535			X	X	X
N/A	6111555			X	X	X
N/A	6111570			X	X	X

PRODUCT VIEW



FEATURES & BENEFITS

- Increase the versatility of your bucket when handling soft materials
- The grapple is equipped with 2 cylinders to increase clamping force
- Easy maintenance : all tines are bolted
- Blade made out of Hardox
- Volvo L30 coupling type as standard, other brackets / coupling systems on demand.

APPLICATIONS



REQUIREMENTS ON MACHINE

- Compatible coupling system on machine.
- No other option required for the grapple : all machines are equipped with 1 auxiliary hydraulic line. (We recommend also selecting the option **hydraulic function in joystick** for a more user-friendly operation)

CHANNEL TO USE FOR ORDERS

Doobiz **SALES**

RANGE

Option number	Part number	Description
N/A	6106310	DL60/65 bucket with grapple, for L30 quick coupler, 0.43m ³ , width 1.50m
N/A	6106356	DL60/65 bucket with grapple, for L30 quick coupler, 0.46m ³ , width 1.60m
N/A	6106401	DL60/65 bucket with grapple, for L30 quick coupler, 0.51m ³ , width 1.75m
N/A	6106390	DL80/85 bucket with grapple, for L30 quick coupler, 0.63m ³ , width 1.70m
N/A	6106415	DL80/85 bucket with grapple, for L30 quick coupler, 0.67m ³ , width 1.80m
N/A	6106425	DL80/85 bucket with grapple, for L30 quick coupler, 0.71m ³ , width 1.90m
N/A	6106555	DL80/85 bucket with grapple, for L30 quick coupler, 0.75m ³ , width 2.00m
N/A	6106561	DL80/85 bucket with grapple, for L30 quick coupler, 0.79m ³ , width 2.10m
N/A	6106565	DL80/85 bucket with grapple, for L30 quick coupler, 0.83m ³ , width 2.20m

COMPATIBILITY

Option number	Part number	DL60-7	DL65-7	DL80-7	DL80TL-7	DL85-7
N/A	6106310	X	X			
N/A	6106356	X	X			
N/A	6106401	X	X			
N/A	6106390	X	X			
N/A	6106415			X	X	X
N/A	6106425			X	X	X
N/A	6106555			X	X	X
N/A	6106561			X	X	X
N/A	6106565			X	X	X

PRODUCT VIEW



FEATURES & BENEFITS

- Designed to grab and carry bales :
 - Round : 1.0 to 1.5 m diameter
 - Square : 0.7 to 2.1m width
- Flow control valve to control opening and closing speed
- No edges to handle safely wrapped bales
- Volvo L30 coupling type as standard, other brackets / coupling systems on demand.

APPLICATIONS



REQUIREMENTS ON MACHINE

- Compatible coupling system on machine.
- No other option required for the cylinders : all machines are equipped with 1 auxiliary hydraulic line. (We recommend also selecting the option **hydraulic function in joystick** for a more user-friendly operation)

CHANNEL TO USE FOR ORDERS

Doobiz **SALES**

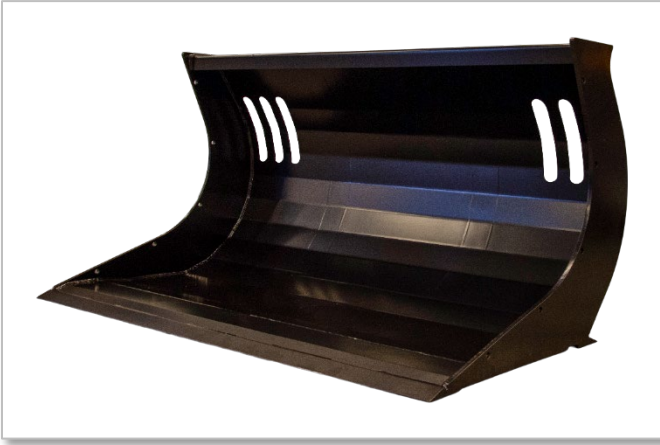
RANGE

Option number	Part number	Description
N/A	6122300	DL60/65/80/85 square bale clamp, for L30 quick coupler, for bales 700 to 2100mm wide
N/A	6122100	DL60/65/80/85 round bale clamp, for L30 quick coupler, for bales diameter 1000 to 1500mm

COMPATIBILITY

Option number	Part number	DL60-7	DL65-7	DL80-7	DL80TL-7	DL85-7
N/A	6122300	X	X	X	X	X
N/A	6122100	X	X	X	X	X

PRODUCT VIEW



FEATURES & BENEFITS

- Allows controlled grading and levelling in both forward and reverse directions.
- 2 blades on front and rear, both made out of Hardox
- Holes on wraparound to increase view on work area
- Can be used like a bucket to transport material on site
- Volvo L30 coupling type as standard, other brackets / coupling systems on demand.

APPLICATIONS



General
Construction



Earth
Moving

REQUIREMENTS ON MACHINE

- Compatible coupling system on machine.

CHANNEL TO USE FOR ORDERS

Doobiz **SALES**

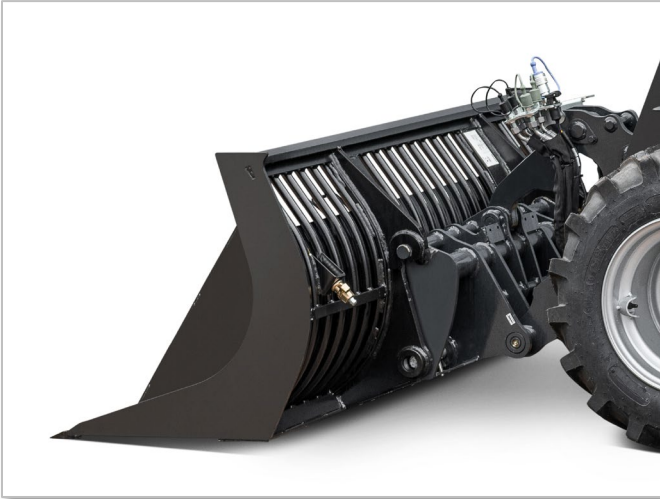
RANGE

Option number	Part number	Description
<u>LEVELLING BUCKETS MODELS</u>		
N/A	6135750	DL60/65 levelling bucket, for L30 quick coupler, 0.61m ³ , width 1.50m
N/A	6135760	DL60/65 levelling bucket, for L30 quick coupler, 0.65m ³ , width 1.60m
N/A	6135775	DL60/65 levelling bucket, for L30 quick coupler, 0.72m ³ , width 1.75m
<u>SIDEWALLS</u>		
N/A	6135739	kit sidewalls for levelling buckets

COMPATIBILITY

Option number	Part number	DL60-7	DL65-7	DL80-7	DL80TL-7	DL85-7
<u>LEVELLING BUCKETS MODELS</u>						
N/A	6135750	X	X			
N/A	6135760	X	X			
N/A	6135775	X	X			
<u>SIDEWALLS</u>						
N/A	6135739	X	X			

PRODUCT VIEW



FEATURES & BENEFITS

- Perfect for transporting waste from brickwork and walls.
- The bucket is fitted with a removal plate, so that you can use it as a general purpose bucket.
 - 1/2 plate on DL6X models
 - 3/4 plate on DL8X models
- The bucket allows a good visibility of the work area, even with the removal plate installed.
- Hardox wear blades.
- Volvo L30 coupling type as standard, other brackets / coupling systems on demand.

1/2 plate



3/4 plate



APPLICATIONS



General
Construction



Earth
Moving



Recycling

REQUIREMENTS ON MACHINE

- Compatible coupling system on machine.

CHANNEL TO USE FOR ORDERS

Doobiz **SALES**

RANGE

Option number	Part number	Description
N/A	6105606	DL60/65 skeleton bucket, for L30 quick coupler, 0.57m ³ , width 1.50m, inner plate 3/4, with side walls
N/A	61057055	DL60/65 skeleton bucket, for L30 quick coupler, 0.61m ³ , width 1.60m, inner plate 3/4, with side walls
N/A	61057991	DL60/65 skeleton bucket, for L30 quick coupler, 0.67m ³ , width 1.75m, inner plate 3/4, with side walls
N/A	6105917	DL80/85 skeleton bucket, for L30 quick coupler, 0.78m ³ , width 1.70m, inner plate 1/2, without side walls, with spillguard
N/A	6105918	DL80/85 skeleton bucket, for L30 quick coupler, 0.82m ³ , width 1.80m, inner plate 1/2, without side walls, with spillguard
N/A	6105919	DL80/85 skeleton bucket, for L30 quick coupler, 0.87m ³ , width 1.90m, inner plate 1/2, without side walls, with spillguard
N/A	6105920	DL80/85 skeleton bucket, for L30 quick coupler, 0.92m ³ , width 2.00m, inner plate 1/2, without side walls, with spillguard
N/A	6105921	DL80/85 skeleton bucket, for L30 quick coupler, 0.97m ³ , width 2.10m, inner plate 1/2, without side walls, with spillguard
N/A	6105922	DL80/85 skeleton bucket, for L30 quick coupler, 1.01m ³ , width 2.20m, inner plate 1/2, without side walls, with spillguard

COMPATIBILITY

Option number	Part number	DL60-7	DL65-7	DL80-7	DL80TL-7	DL85-7
N/A	6105606	X	X			
N/A	61057055	X	X			
N/A	61057991	X	X			
N/A	6105917			X	X	X
N/A	6105918			X	X	X
N/A	6105919			X	X	X
N/A	6105920			X	X	X
N/A	6105921			X	X	X
N/A	6105922			X	X	X

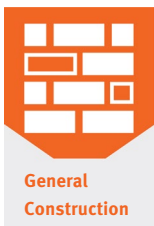
PRODUCT VIEW



FEATURES & BENEFITS

- Allows controlled grading and levelling in both forward and reverse directions.
- Smart design : easy transport with bucket and forks (illustrating picture on the left)
- Volvo L30 coupling type as standard, other brackets / coupling systems on demand.

APPLICATIONS



REQUIREMENTS ON MACHINE

- Compatible coupling system on machine.

CHANNEL TO USE FOR ORDERS

Doobiz **SALES**

RANGE

Option number	Part number	Description
N/A	6135035	DL60/65 levelling frame, for L30 quick coupler, width 1.50m
N/A	6135055	DL60/65/80/85 levelling frame, for L30 quick coupler, width 1.75m
N/A	6135065	DL60/65/80/85 levelling frame, for L30 quick coupler, width 2.00m
N/A	6135080	DL80/85 levelling frame, for L30 quick coupler, width 2.50m

COMPATIBILITY

Option number	Part number	DL60-7	DL65-7	DL80-7	DL80TL-7	DL85-7
N/A	6135035	X	X			
N/A	6135055	X	X	X	X	X
N/A	6135065	X	X	X	X	X
N/A	6135080			X	X	X

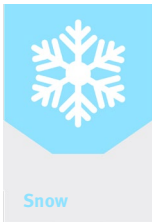
PRODUCT VIEW



FEATURES & BENEFITS

- The snow blade is perfect for clearing snow from roads and terrains.
 - Blade straight : push & pile large amounts of snow in one area.
 - Blade angled: continuously push snow to either side of the loader.
- Wheels height adjustable to maximize operator and components protection.
- Erlan cutting edge : good resistance to abrasion, remains flExible under cold temperatures
- Volvo L30 coupling type as standard, other brackets / coupling systems on demand.

APPLICATIONS



REQUIREMENTS ON MACHINE

- Compatible coupling system on machine.
- No other option required for the cylinder : all machines are equipped with 1 auxiliary hydraulic line. (We recommend also selecting the option **hydraulic function in joystick** for a more user-friendly operation)

CHANNEL TO USE FOR ORDERS

Doobiz **SALES**

RANGE

Option number	Part number	Description
<u>SNOW BLADE MODELS</u>		
N/A	6132720	DL60/65 snow blade, for L30 quick coupler, width 1.80m (kit hydraulic angle adjustment to be ordered separately)
N/A	6132740	DL60/65 snow blade, for L30 quick coupler, width 2.00m (kit hydraulic angle adjustment to be ordered separately)
N/A	6132770	DL80/85 snow blade, for L30 quick coupler, width 2.00m, with hydraulic angle adjustment
N/A	6132771	DL80/85 snow blade, for L30 quick coupler, width 2.25m, with hydraulic angle adjustment
N/A	6132772	DL80/85 snow blade, for L30 quick coupler, width 2.50m, with hydraulic angle adjustment
<u>KIT HYDRAULIC ANGLE ADJUSTMENT</u>		
N/A	6132750	kit hydraulic angle adjustment for snow blades

COMPATIBILITY

Option number	Part number	DL60-7	DL65-7	DL80-7	DL80TL-7	DL85-7
<u>SNOW BLADES MODELS</u>						
N/A	6132720	X	X			
N/A	6132740	X	X			
N/A	6132770			X	X	X
N/A	6132771			X	X	X
N/A	6132772			X	X	X
<u>KIT HYDRAULIC ANGLE ADJUSTMENT</u>						
N/A	6132750	X	X			

PRODUCT VIEW

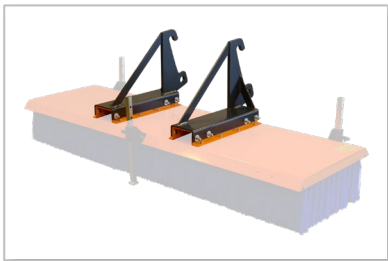


FEATURES & BENEFITS

- 11 rows of brushes : perfect tool for sweeping coarse material such as grain, silage maize, gravel, tree bark, wood chips, etc.
- Sweeps any material, wet or dry, forwards or backwards.
- Effectively cleans along curbs and other tight areas.
- 20-30 times faster than hand sweeping.
- Ideal for construction jobsites, municipality jobs and yards/parking/ warehouse clean up.
- Can be used with forks, or equipped with a bracket

- Coupling :
 - Use on forks as standard
 - Volvo L30 bracket optional
 - Other brackets / coupling systems on demand.

Volvo L30 bracket (optional)



APPLICATIONS



General
Construction



Agriculture



Recycling

REQUIREMENTS ON MACHINE

- Pallet forks or compatible coupling system on machine.

CHANNEL TO USE FOR ORDERS

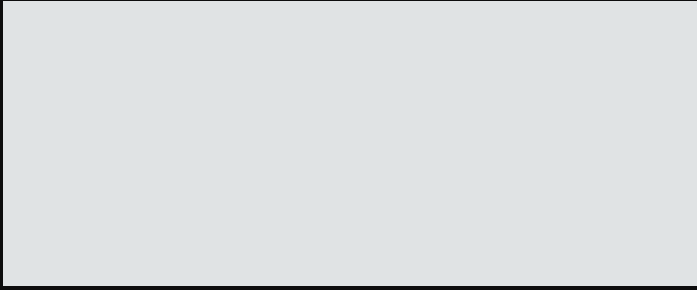
Doobiz **SALES**

RANGE

Option number	Part number	Description
<u>PUSH BROOMS MODELS</u>		
N/A	6131182	DL60/65/80/85 push broom, 1.50m, requires the quick coupler bracket for push broom
N/A	6131184	DL60/65/80/85 push broom, 1.90m, requires the quick coupler bracket for push broom
N/A	6131186	DL60/65/80/85 push broom, 2.30m, requires the quick coupler bracket for push broom
<u>VOLVO L30 BRACKET</u>		
N/A	6131190	L30 quick coupler bracket for push broom

COMPATIBILITY

Option number	Part number	DL60-7	DL65-7	DL80-7	DL80TL-7	DL85-7
<u>PUSH BROOMS MODELS</u>						
N/A	6131182	X	X	X	X	X
N/A	6131184	X	X	X	X	X
N/A	6131186	X	X	X	X	X
<u>VOLVO L30 BRACKET</u>						
N/A	6131190	X	X	X	X	X



Powered by **Innovation**

DEVELON

DOOSAN Infracore Europe s.r.o.
IBC - Pobřežní 620/3, 186 00 Praha 8-Karlín
Czech Republic

©2023 DEVELON D4601260-EN (05-23)

Certain specification(s) are based on engineering calculations and are not actual measurements. Specification(s) are provided for comparison purposes only and are subject to change without notice. Specification(s) for your individual Develon equipment will vary based on normal variations in design, manufacturing, operating conditions, and other factors. Pictures of Develon units may show other than standard equipment.